

PG2-R

Pistol Grip Shock Mount

AUSTRALIA
107 Carnarvon st, Silverwater NSW 2128 Australia
Ph: +61 2 9648 5855 Fx: +61 2 9648 2455

USA
PO Box 91028, Long Beach CA 90809-1028
Ph: +1 562 364 7400 Fax: +1 888 412 4664

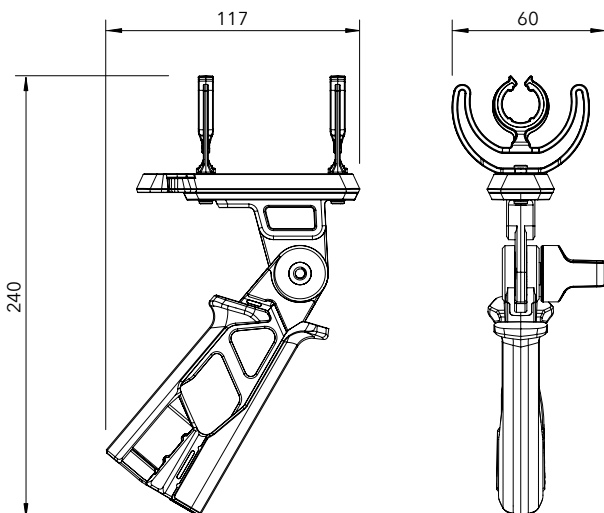


Features

The PG2-R is a Pistol Grip Shock Mount designed to reduce handling noise when recording with shotgun microphones in hand held or boompole mounted applications.

The PG2-R is equipped with dual Rycote® Lyre® mounts to ensure maximum isolation from any handling vibrations, four possible mounting points to suit the complete range of compatible RØDE shotgun microphones, and integrated cable management clip.

The newly designed lightweight handle delivers improvements in both ergonomics and functionality. The cushioned grip houses multiple cable mounting points, with a dedicated space for the PG2-R Pro Cable XLR connector to terminate flush with the base for ease of connectivity. A heavy duty locking nut on the side of the handle ensures smooth adjustment of your microphone angle, whilst a 3/8" thread at the base of the handle provides secure connection to boompoles and microphone stands.



Specifications

Weight	224g
Dimensions (LxWxH)	117mm x 60mm x 240mm
Microphone compatibility	M5, NT5, NT55, NTG1, NTG2, NTG3, NTG4, NTG4+, PG2 Pro Cable

RØDE
MICROPHONES

