



# Evolution Wireless Digital EW-D ASA | Active Antenna Splitter



## EW-D ASA

Active Antenna Splitter for use with Evolution Wireless Digital systems.

### Evolution Wireless Digital

Versatile and feature-rich digital wireless system for those who sing, speak or play instruments that allows for seamless product pairing and management via the EW-D Smart Assist App. Receive state-of-the-art live sound.

## FEATURES

- Digital wireless eliminates noise, interference and static bursts
- UHF transmission greatly enhances range, reliability and scalability
- Mobile App streamlines setup and operation and eliminates complicated menus
- Automated setup creates reliable connections with minimal time and effort
- Up to 2,240 selectable frequencies
- 56 MHz Bandwidth will allow for up to 90 channels

## PRODUCT VARIANTS

<b>EW-D ASA (Q-R-S)</b>	Active Antenna Splitter	470 - 694 MHz	Art. no. 508879
<b>EW-D ASA (T-U-V-W)</b>	Active Antenna Splitter	694 - 1075 MHz	Art. no. 508880
<b>EW-D ASA (X-Y)</b>	Active Antenna Splitter	1350 - 1805 MHz	Art. no. 508881
<b>EW-D ASA CN/ANZ (Q-R-S)</b>	Active Antenna Splitter	470 - 694 MHz	Art. no. 508998

## ACCESSORIES

<b>EW-D AB (Q)</b>	Antenna Booster	470 - 550 MHz	Art. no. 508873
<b>EW-D AB (R)</b>	Antenna Booster	520 - 608 MHz	Art. no. 508874
<b>EW-D AB (S)</b>	Antenna Booster	606 - 694 MHz	Art. no. 508875
<b>EW-D AB (U)</b>	Antenna Booster	823 - 865 MHz	Art. no. 508876
<b>EW-D AB (V)</b>	Antenna Booster	902 - 960 MHz	Art. no. 508877
<b>EW-D AB (Y)</b>	Antenna Booster	1785 - 1805 MHz	Art. no. 508878
<b>ADP UHF (470 - 1075 MHz)</b>	Passive directional antenna	470 - 1075 MHz	Art. no. 508863
<b>AD 1800</b>	Passive directional antenna	1400 - 2400 MHz	Art. no. 504916



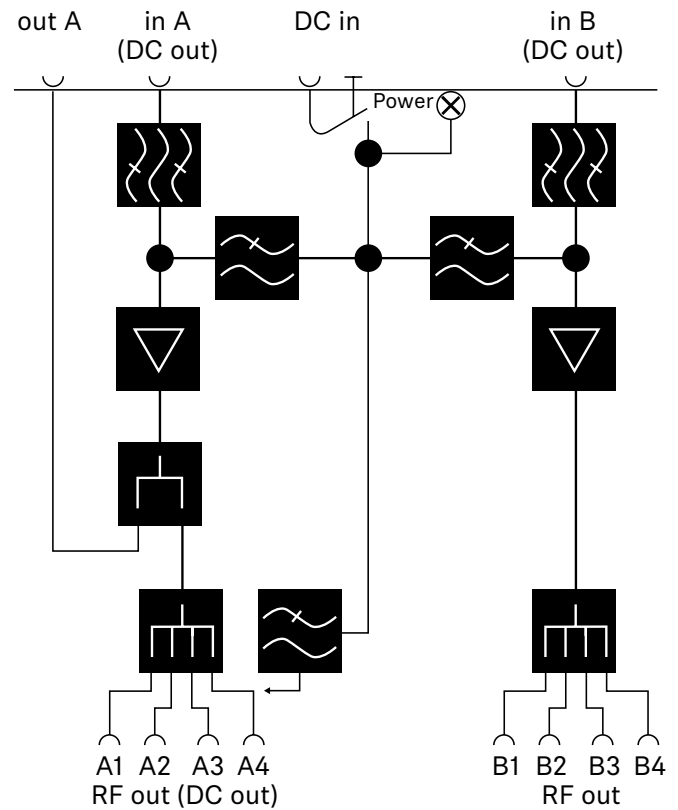
# Evolution Wireless Digital

## EW-D ASA | Active Antenna Splitter

### SPECIFICATIONS

Frequency ranges	EW-D ASA (Q-R-S): 470 – 694 MHz EW-D ASA CN/ANZ (Q-R-S): 470 – 694 MHz EW-D ASA (T-U-V-W): 694 – 1075 MHz EW-D ASA (X-Y): 1350 – 1805 MHz
Antenna splitter	2 x 1:4 or 1 x 1:8, active
Gain	in A – out A: $0 \pm 1$ dB in A – out A1 ... A4: $0 \pm 1$ dB in B – out B1 ... B4: $0 \pm 1$ dB
IIP3	> 25 dBm
Impedance	50 $\Omega$
Reflection loss	10 dB (all RF outputs)
Operating voltage	DC +12 V from NT 12-35 CS power supply unit
Current consumption	210 mA
Total current consumption	max. 3 A (with 4 EW-D EM and connected EW-D AB)
Supply for antenna boosters at ANT RF in A and ANT RF in B	DC 12 V 320 mA
Supply for receivers at A1 to A4	DC 12 V Typically 350 mA, max. 500 mA
Dimensions	Approx. 212 x 168 x 43 mm
Weight	Approx. 1100 g
Operating temperature range	-10 °C - +55 °C (14 °F - 131 °F)
Storage temperature range	-20 °C - +70 °C (-4 °F - 158 °F)
Relative humidity	5 - 95 % (non-condensing)

### BLOCK DIAGRAM





# Evolution Wireless Digital EW-D ASA | Active Antenna Splitter

## DIMENSIONS

