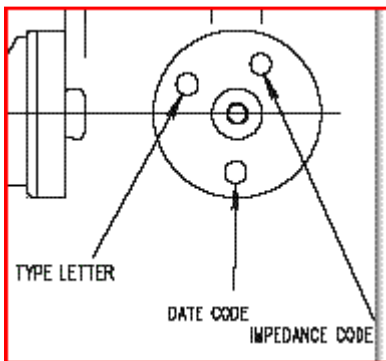


Impedance identification for the EAD2 Earpiece Drivers

54-273 - CANFORD EAD2 ACOUSTIC DRIVER For eartubes, 120 ohms, pink
54-274 - CANFORD EAD2 ACOUSTIC DRIVER For eartubes, 120 ohms, black
54-277 - CANFORD EAD2 ACOUSTIC DRIVER For eartubes, 500 ohms, pink
54-278 - CANFORD EAD2 ACOUSTIC DRIVER For eartubes, 500 ohms, black
54-281 - CANFORD EAD2 ACOUSTIC DRIVER For eartubes, 1k ohm, pink
54-282 - CANFORD EAD2 ACOUSTIC DRIVER For eartubes, 1k ohms, black
54-283 - CANFORD EAD2 ACOUSTIC DRIVER For eartubes, 2k ohms, pink
54-284 - CANFORD EAD2 ACOUSTIC DRIVER For eartubes, 2k ohms, black

Earpiece driver markings:



The type letter (3 characters) is of no user significance.

Impedance Code runs from 1 – 8

1	15	ohm
2	60	ohm
3	120	ohm
4	500	ohm
5	500	ohm
6	1000	ohm
7	2000	ohm
8	4000	ohm

Date Code is of no customer significance.

Numbers 4 and 5 is not a typo!