

HANDBOOK

## **LD-KE1**

SignalLED Conversion Kit,  
Single Flush Mount to End Mount

## **LD-KC1**

Ceiling Mounting Kit



Manufacturers of audio & video  
products for radio & TV broadcasters

**SONIFEX**

This handbook is for use with the following product:

LD-KE1 SignalLED Conversion Kit, Single Flush Mount to End Mount

LD-KC1 Ceiling Mounting Kit

Stock Code: 30-249

©Sonifex Ltd, 2014

All Rights Reserved

Revision 1.01, April 2014

Sonifex Ltd, 61, Station Road, Irthlingborough,  
Northants, NN9 5QE, England.

Tel: +44 (0)1933 650 700

Fax: +44 (0)1933 650 726

Email: [sales@sonifex.co.uk](mailto:sales@sonifex.co.uk)

Website: <http://www.sonifex.co.uk>

Information in this document is subject to change without notice and does not represent a commitment on the part of the vendor. Sonifex Ltd shall not be liable for any loss or damage whatsoever arising from the use of information or any error contained in this manual.

No part of this manual may be reproduced or transmitted in any form or by any means, electronic or mechanical, including photocopying, recording, information storage and retrieval systems, for any purpose other than the purchaser's personal use, without the express written permission of Sonifex Ltd. Unless otherwise noted, all names of companies, products and persons contained herein are part of a completely fictitious adaptation and are designed solely to document the use of Sonifex product.

# Contents

## Product Warranty - 2 Year

### Sonifex Warranty & Liability

#### Terms & Conditions

1. Definitions
2. Warranty

### Repairs & Returns

#### RoHS Directive

## LD-KE1 SignalLED Conversion Kit, Single Flush Mount to End Mount

- Right Hand Side Fitting of the Conversion Kit
- Left Hand Side Fitting of the Conversion Kit

## LD-KC1 Ceiling Mounting Kit

ii	Fig 1-1: Sign Components to be Converted	2
ii	Fig 1-2: Kit Components Used for the Conversion	4
iii	Fig 1-3: Removing the Left Hand Assembly	4
vii	Fig 1-4: Removing the Right Hand Flush Wall Moulding	5
viii	Fig 1-5: Right Hand Conversion Re-Assembly	5
1	Fig 1-6: Left Hand Conversion Re-Assembly	7
2		
4		
8	Fig 2-1: LD-KC1 Ceiling Mounting Kit	8

# Product Warranty - 2 Year

As standard, Sonifex products are supplied with a 1 year back to base warranty. In order to register the date of purchase and so that we can keep you informed of any product design improvements or modifications, it is important to complete the warranty registration online. Additionally, if you register the product on the Sonifex website within 30 days of purchase, you can increase your product warranty to 2 years. Go to the Sonifex website at: <http://www.sonifex.co.uk/technical/register/index.asp> to apply for your 2 year warranty.

**Note:** For your own records the product serial number is recorded on the CE certification page of this handbook.

## Sonifex Warranty & Liability Terms & Conditions

### 1. Definitions

'the Company' means Sonifex Ltd and where relevant includes companies within the same group of companies as Sonifex Limited.

'the Goods' means the goods or any part thereof supplied by the Company and where relevant includes: work carried out by the Company on items supplied by the Purchaser; services supplied by the Company; and software supplied by the Company.

'the Purchaser' means the person or organisation who buys or has agreed to buy the Goods.

‘the Price’ means the Price of the Goods and any other charges incurred by the Company in the supply of the Goods.

‘the Warranty Term’ is the length of the product warranty which is usually 12 months from the date of despatch; except when the product has been registered at the Sonifex website when the Warranty Term is 24 months from the date of despatch.

‘the Contract’ means the quotation, these Conditions of Sale and any other document incorporated in a contract between the Company and the Purchaser.

This is the entire Contract between the parties relating to the subject matter hereof and may not be changed or terminated except

in writing in accordance with the provisions of this Contract. A reference to the consent, acknowledgement, authority or agreement of the Company means in writing and only by a director of the Company.

## 2. Warranty

- (a) The Company agrees to repair or (at its discretion) replace Goods which are found to be defective (fair wear and tear excepted) and which are returned to the Company within the Warranty Term provided that each of the following are satisfied:
- (i) notification of any defect is given to the Company immediately upon its becoming apparent to the Purchaser;

## Warranty

---

- (ii) the Goods have only been operated under normal operating conditions and have only been subject to normal use (and in particular the Goods must have been correctly connected and must not have been subject to high voltage or to ionising radiation and must not have been used contrary to the Company's technical recommendations);
- (iii) the Goods are returned to the Company's premises at the Purchaser's expense;
- (iv) any Goods or parts of Goods replaced shall become the property of the Company;
- (v) no work whatsoever (other than normal and proper maintenance) has been carried out to the Goods or any part of the Goods without the Company's prior written consent;
- (vi) the defect has not arisen from a design made, furnished or specified by the Purchaser;
- (vii) the Goods have been assembled or incorporated into other goods only in accordance with any instructions issued by the Company;
- (viii) the defect has not arisen from a design modified by the Purchaser;

- (ix) the defect has not arisen from an item manufactured by a person other than the Company. In respect of any item manufactured by a person other than the Company, the Purchaser shall only be entitled to the benefit of any warranty or guarantee provided by such manufacturer to the Company.
- (b) In respect of computer software supplied by the Company the Company does not warrant that the use of the software will be uninterrupted or error free.
- (c) The Company accepts liability:
  - (i) for death or personal injury to the extent that it results from the negligence of the Company, its employees (whilst in the course of their employment) or its agents (in the course of the agency);
  - (ii) for any breach by the Company of any statutory undertaking as to title, quiet possession and freedom from encumbrance.
- (d) Subject to conditions (a) and (c) from the time of despatch of the Goods from the Company's premises the Purchaser shall be responsible for any defect in the Goods or loss, damage, nuisance or interference whatsoever consequential economic or otherwise or wastage of material resulting from or caused by or to the Goods. In particular the Company shall not be liable

## Warranty

---

- for any loss of profits or other economic losses. The Company accordingly excludes all liability for the same.
- (e) At the request and expense of the Purchaser the Company will test the Goods to ascertain performance levels and provide a report of the results of that test. The report will be accurate at the time of the test, to the best of the belief and knowledge of the Company, and the Company accepts no liability in respect of its accuracy beyond that set out in Condition (a).
- (f) Subject to Condition (e) no representation, condition, warranty or other term, express or implied (by statute or otherwise) is given by the Company that the Goods are of any particular quality or standard or will enable the Purchaser to attain any particular performance or result, or will be suitable for any particular purpose or use under specific conditions or will provide any particular capacity, notwithstanding that the requirement for such performance, result or capacity or that such particular purpose or conditions may have been known (or ought to have been known) to the Company, its employees or agents.
- (g) (i) To the extent that the Company is held legally liable to the Purchaser for any single breach of contract, tort, representation or other act or default, the Company's liability for the same shall not exceed the price of the Goods.



- (ii) The restriction of liability in Condition (g)(i) shall not apply to any liability accepted by the Seller in Condition (c).
  
- (h) Where the Goods are sold under a consumer transaction (as defined by the Consumer Transactions (Restrictions on Statements) Order 1976) the statutory rights of the Purchaser are not affected by these Conditions of Sale.

## Repairs & Returns

Please contact Sonifex or your supplier if you have any problems with your Sonifex product. Email [technical.support@sonifex.co.uk](mailto:technical.support@sonifex.co.uk) for the repair/upgrade/returns procedure, or for support & questions regarding the product operation.

### RoHS Directive



The RoHS directive limits the use of certain hazardous substances currently used in EEE manufacture, including lead, mercury, cadmium, hexavalent chromium, and halide-containing compounds PBB (polybrominated biphenyl) and PBDE (polybrominated diphenyl ether). Elimination of these substances will result in more environmentally friendly recycling of electronic equipment.

Sonifex Ltd practices lead-free (LF) manufacturing processes and does not use any of the hazardous substances identified in the European Union's Restriction of Hazardous Substances (RoHS) directive. The manufacturing processes include the assembly of purchased components from various sources. Product is offered as RoHS compliant, or LF, only

after sufficient evidence is received from the component manufacturers that their components are RoHS compliant. Sonifex Ltd relies solely on the distributor, or manufacturer, of the components for identification of RoHS compliance. Thus whilst every effort is made to ensure compliance, Sonifex Ltd makes no warranty, or certification, or declaration of compliance concerning said components.

## LD-KE1 Signalled LED Conversion Kit, Single Flush Mount to End Mount

To convert the LD-20F & LD-40F style flush mount single sided signs into single sided end mount signs you will need to fit the LD-KE1 conversion kit. Please follow these instructions carefully.

**Note:** You'll need the following tools to use the conversion kit:, a No. 0 and No.1 Pozi-drive screwdriver.

Take care not to damage the clear surface of the sign board. The surface will be marked by swarf or rough surfaces, so please use a clean cloth to hold the sign.

Because the sign is single sided the text will only be correctly viewable from one side. If the text must be viewed from one particular side this must be chosen initially as it will affect the

disassembly and subsequent re-assembly of the sign

As standard the Signalled PCB is fitted into the right hand end of the LD-20F & LD-40F (see Fig 5-1). If you would like the sign to be viewable with the right hand side of the sign mounted onto the wall please use the 'Right Hand Side' fitting instructions.

If you would like the sign to be viewable with the left hand side of the sign mounted onto the wall, please use the 'Left Hand Side' fitting instructions.

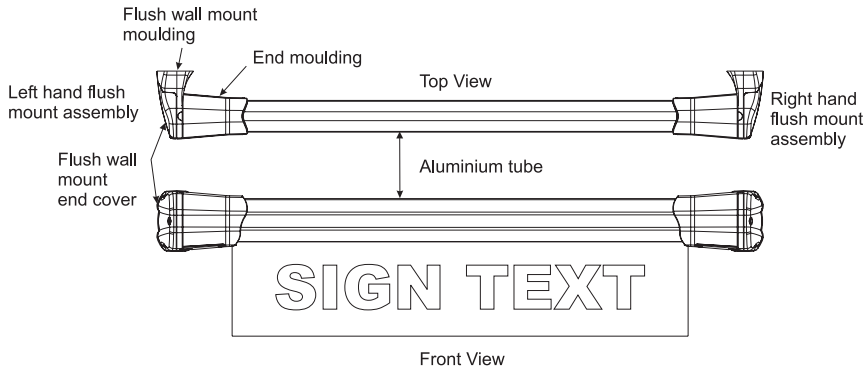


Fig 1-1: Sign Components to be Converted

### Right Hand Side Fitting of the Conversion Kit

- 1) Open the end cover on the left hand flush mount assembly by removing the self tapping screw with a No.1 pozi-drive screwdriver.
- 2) Remove the left hand flush mount assembly by unscrewing the 4 screws that fix the end moulding to the aluminium tube. These are located inside at the bottom of the end moulding. See Fig 5-3.
- 3) Align the 4 pins of the extrusion end cover with the screw holes in the exposed

- end of the aluminium tube. Note the orientation of the cut-out with the clear sign board and press fit the end cover fully onto the aluminium tube.
- 4) Open the end cover on the right hand flush mount assembly by removing the self-tapping screw with a No.1 pozi-drive screwdriver.
  - 5) Remove the flush wall mount moulding from the end moulding by unscrewing the 4 screws visible under the cover See Fig 5-4.
  - 6) Fit the internal hanger plate into the end wall mount moulding. Align the semi-circular cut-out in the hanger plate with the raised section above the serial number label, which indicates the bottom of the assembly. Also make sure that the hanger plate fits into the slots in the wall mount moulding.
  - 7) This combination is then fixed to the right hand flush mount assembly end moulding with the 4 supplied No.4 x  $\frac{3}{4}$  self tap screws. See Fig 5-5. Do not substitute any other screws in these positions and do not reuse the screws removed from these positions, because they will not support the sign correctly.
  - 8) Please refer to the installation notes for the LD-40E style signs to complete the final fitting and colour/configuration set-up.

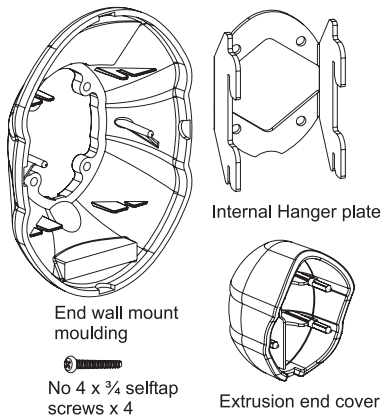


Fig 1-2: Kit Components Used for the Conversion

### Left Hand Side Fitting of the Conversion Kit

**Note:** With this conversion you will be removing the PCB from the sign so full anti-

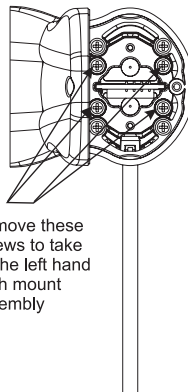
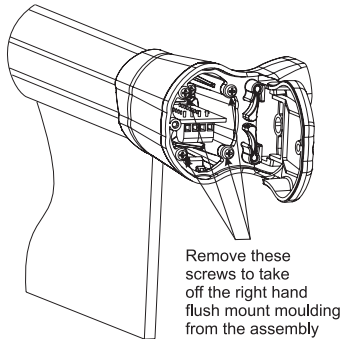


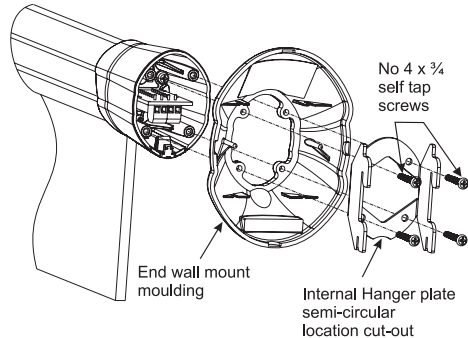
Fig 1-3: Removing the Left Hand Assembly

static precautions must be taken to protect the PCB from damage. Failure to do so may result in the sign not working and invalidating the warranty.



*Fig 1-4: Removing the Right Hand Flush Wall Moulding*

- 1) Open the end cover on the right hand flush mount assembly by removing the self-tapping screw with a No.1 pozi-drive screwdriver.



*Fig 1-5: Right Hand Conversion Re-Assembly*

- 2) Remove the 2 small screws that hold the PCB into the right hand flush mount assembly and withdraw the PCB. Place the PCB on an antistatic surface.

- 3) Remove the right hand flush mount assembly by unscrewing the 4 screws that fix the end moulding to the aluminium tube. These are located inside at the bottom of the end moulding.
- 4) Align the 4 pins of the extrusion end cover with the screw holes in the exposed end of the aluminium tube. Note the orientation of the cut-out with the clear sign board and press fit the end cover fully onto the aluminium tube.
- 5) Open the end cover on the left hand flush mount assembly by removing the self-tapping screw with a No.1 pozi-drive screwdriver.
- 6) Remove the flush wall mount moulding from the end moulding by unscrewing the 4 screws visible under the cover.
- 7) Replace the PCB into the left hand end moulding aligning the PCB edge with the guide tracks in the aluminium extrusion. Refit the 2 small screws that hold the PCB, taking care not to over tighten and strip the plastic.
- 8) Fit the internal hanger plate into the end wall mount moulding. Align the semi-circular cut-out in the hanger plate with the raised section above the serial number label, which indicates the bottom of the assembly. Also make sure that the hanger plate fits into the slots in the wall mount moulding.
- 9) This combination is then fixed to the left hand flush mount assembly end moulding with the 4 supplied No.4 x  $\frac{3}{4}$  self tap screws. Do not substitute any



other screws in these positions and do not reuse the screws removed from these positions because they will not support the sign correctly.

- 10) Please refer to the installation notes for the LD-40E style signs to complete the final fitting and colour/configuration set-up.

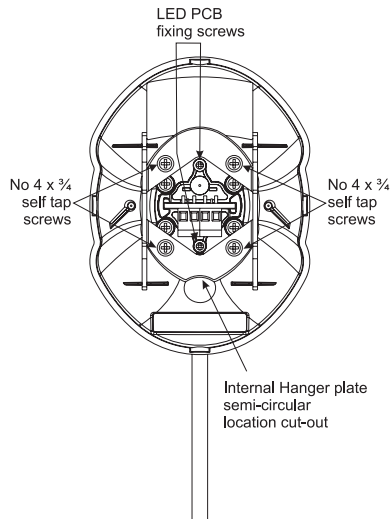


Fig 1-6: Left Hand Conversion Re-Assembly

## LD-KC1 Ceiling Mounting Kit

Open the end covers of the sign. Take the 5mm screw out of each of the LD-KC1 brackets and use the screws to attach the sign covers to them, where indicated on the drawing below. Ensure that the sign cover sits comfortably against the metal plates on each of the bracket.

The LD-KC1 ceiling mounting kit can be used for mounting a 40cm or 20cm flush mounting sign either down from the ceiling or up from a surface, e.g. table-top or top of a rack.

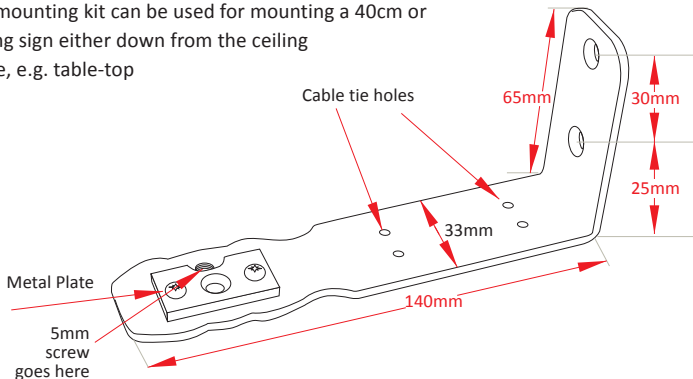


Fig 2-1: LD-KC1 Ceiling Mounting Kit



**SONIFEX**

[www.sonifex.co.uk](http://www.sonifex.co.uk)

---

t:+44 (0)1933 650 700

f:+44 (0)1933 650 726

sales@sonifex.co.uk