



BS-1030B/BS-1030W

UNIVERSAL SPEAKER



BS-1030B



BS-1030W



Note: Mounting hardware shown here are not TOA standard brackets.

•Expanded installation options

The compact and versatile BS-1030 lends itself to many different applications as it is versatile to be installed virtually anywhere. Simple installations can be effected by mounting the speaker directly to a wall either vertically or horizontally using appropriate surface-to-mount screws. If the speaker needs to be adjusted, a supplied mounting bracket that allows considerable setting adjustment may be used. For more demanding situations, the speaker may be used in single or multiple unit configurations as requirements dictate. In keeping with its multi-purpose sensibility, this speaker features a splash-proof construction allowing it to be employed for outdoor installations as long as it is not directly exposed to the elements. For additional placement options, the free-standing speaker stand may be utilized as desired. The BS-1030 is truly a universal speaker that suits any application anywhere at an attractive price point.

•Clean, modern design

Featuring an elegant enclosure formed of gentle curving lines, the BS-1030's aesthetically pleasing design will suit virtually any installation's requirements. The visually appealing BS-1030 is available in white (BS-1030W) or black (BS-1030B) enclosures.

•Solid performance

The BS-1030 is a 2-way bass reflex speaker featuring a frequency response that has been carefully tailored to deliver good audio quality to suit general use such as speech and music. Even with its compact dimensions, the BS-1030 distinguishes itself with a wide frequency response from 80Hz up to 20,000Hz to capably handle most audio applications.

•Simple switchover control for high or low impedance use

The BS-1030 has a nominal impedance of eight ohms and may be used in both high or low impedance applications. Rear panel-mounted rotary switches allow quick adjustments in five increments for respectively selecting low or high impedance 70V/100V use.

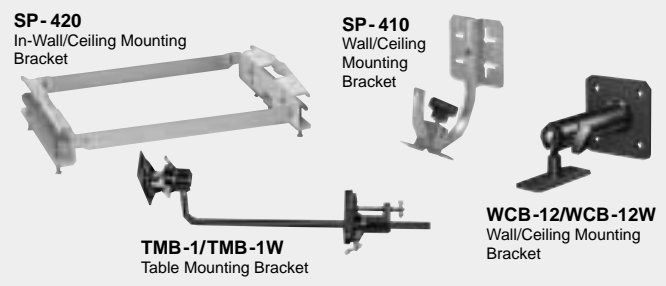
SPECIFICATIONS

Enclosure	2-way bass reflex type
Rated Input	30W
Impedance	8Ω 100V line: 330Ω (30W), 500Ω (20W), 670Ω (15W), 1kΩ (10W), 2kΩ (5W) 70V line: 170Ω (30W), 250Ω (20W), 330Ω (15W), 500Ω (10W), 1kΩ (5W)
Sensitivity	90dB (1W/1m, in anechoic chamber)
Frequency Response	80 – 20,000Hz
Speaker Components	12 cm dynamic cone-type speaker 2.5cm balanced dome tweeter
Speaker Cable	2-core cabtyre cable (diameter 6mm)
Operating Temperature	-10°C to +50°C
Water Resistance	IP-X3 (can be installed vertically or horizontally)
Material/Finish	BS-1030B: Enclosure: ABS resin, black, paint Grille: surface treated steel plate, black, powder coating Bracket: surface treated steel plate, black, powder coating BS-1030W: Enclosure: ABS resin, white, paint Grille: surface treated steel plate, white, powder coating Bracket: surface treated steel plate, white, powder coating

Dimensions	196 (W) × 290 (H) × 150 (D) mm (without bracket)
Weight	2.5kg (without bracket)

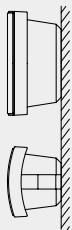
Accessories	Bracket × 1, Bracket mounting screw × 2, Bracket mounting washer × 2
-------------	---

Options	Bracket: BS-1030B ; WCB-12, TMB-1, SP-410 BS-1030W ; WCB-12W, TMB-1W, SP-410, SP-420 Stand: ST-16
---------	---

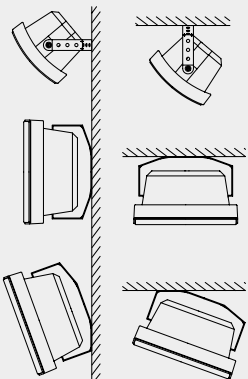


Installation Examples

• Direct

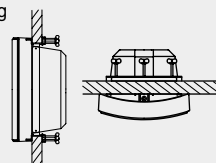


• With Supplement Bracket



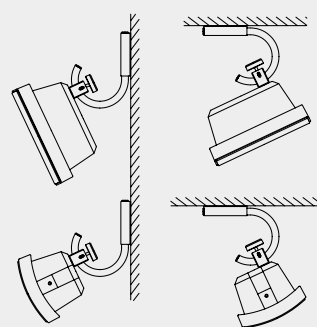
SP-420

In-Wall/Ceiling Mounting Bracket



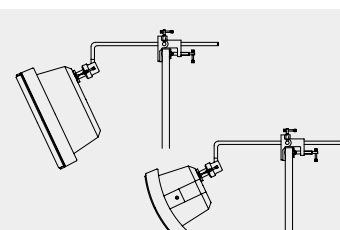
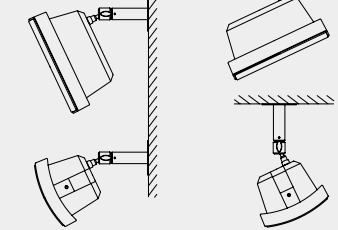
SP-410

Wall/Ceiling Mounting Bracket



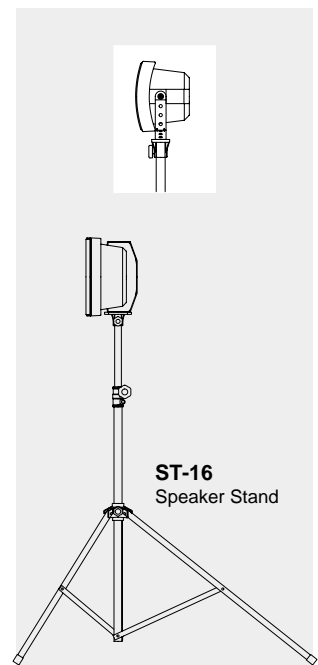
WCB-12/ WCB-12W

Wall/Ceiling Mounting Bracket



TMB-1/TMB-1W

Table Mounting Bracket



ST-16
Speaker Stand



TOA Corporation
www.toa.co.jp

Specifications are subject to change without notice.
Printed in Japan (011) 833-61-642-10 u