

PC-5CL

CEILING SPEAKER

Full-range 8 cm, 2 k#/5 W speaker with sealed rear chamber, and high-molecular substance speaker vibration section to prevent floating dust particles from contaminating medical, chemical, or IC/photo film production.



Article number PC-5CL

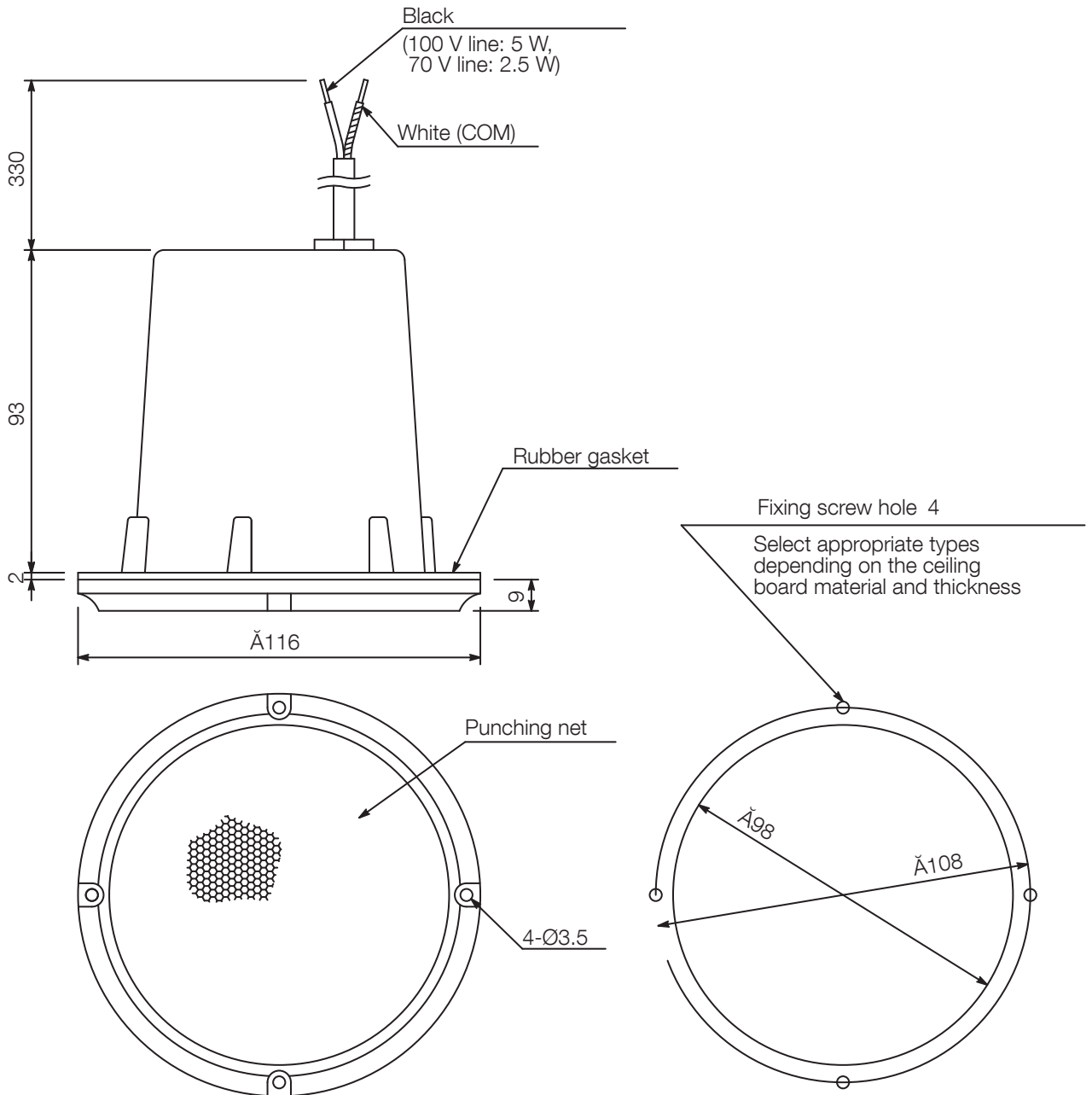
Specifications

Dimensions (W x H x D)	x 110
Dimensions (ø x D)	116 x 110 mm
Finish	Alloy-coated ABS resin, traffic white (RAL 9016 or equivalent),
Operating temperature	-20 °C to +55 °C

PC-5CL

CEILING SPEAKER

Appearance



UNIT:mm

SCALE:1/2

Dimension diagram for fixing holes