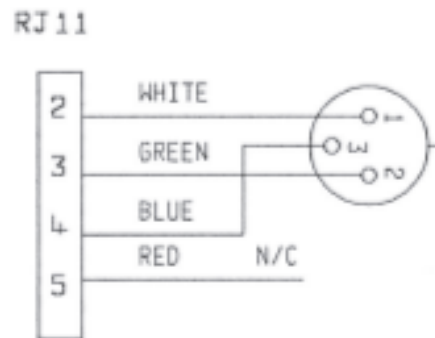


## 27-591 TECPRO HS591 Handset station



Wiring protocol for RJ11 to bare end cable:-

RJ11 pin 2	White	Ground	3 pin XLR pin 1
RJ11 pin 3	Green	+24VDC	3 pin XLR pin 2
RJ11 pin 4	Blue	Audio	3 pin XLR pin 3
RJ11 pin 5	Red	N/C	