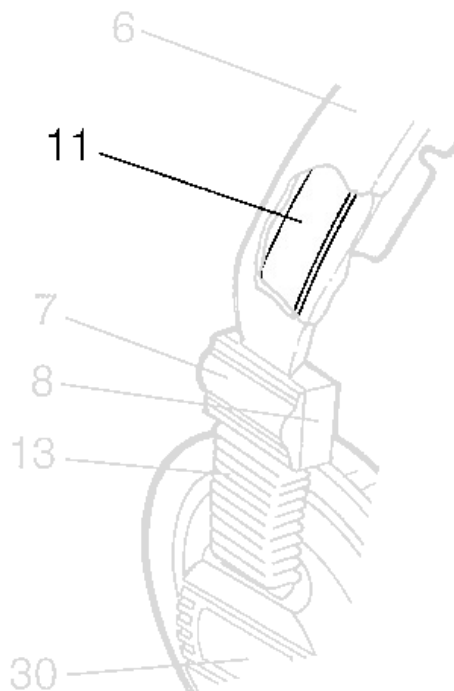
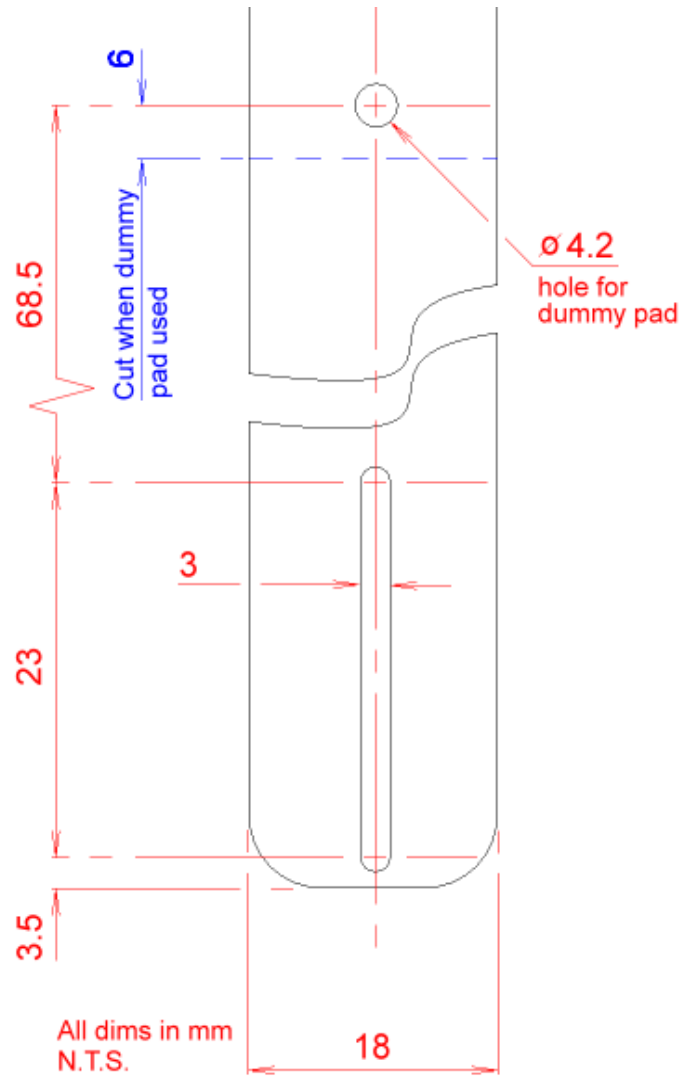




Spring steel headband bow for 200 series headphones/headsets, 0.7mm thick, (22 gauge). Incorporates slots to allow earpiece adjustment as well as dummy pad location holes for single earpiece headsets. Note headband needs to be cut to accommodate dummy pad.

- Suitable for
- 54-205 CANFORD DMH205 HEADPHONES
 - 54-285 CANFORD DMH285 HEADPHONES
 - 54-210 CANFORD SMH210U HEADSET Single ear
 - 54-220 CANFORD DMH220U HEADSET
 - 27-210 TECPRO SMH210 Single muff headset
 - 27-220 TECPRO DMH220 Dual muff headset
 - 27-223 TECPRO DMH220 Dual muff headset (XLR 5 pin connector)





Typ. Headband End Detail

Total Headband Length = 462 approx.



View showing cut headband prior to fitting dummy pad