

48-787 TELEGARTNER BNC 3G HD Male cable, crimp, 75 ohm, group X

48-777 TELEGARTNER BNC 3G HD Male cable, crimp, 75 ohm, group X (pack of 100)

Mechanical Characteristics:

| | | | | |
|------------------------------|-------------|---|-------------|-----|
| Cable Group: | Canford | X | Telegartner | G41 |
| Interface dimensions acc. to | IEC 61169-8 | | | |
| Mating life | >500 | | | |

Materials

| | |
|-------------------|-------------|
| Centre contact | CuZn39Pb3 |
| Outer contact | CuZn39Pb3 |
| Other metal parts | GD-ZnAl4Cu1 |
| Crimp ferrule | SF Cu w |
| Insulator | PE |
| Gasket | Silicone |

Finish

| |
|-------------|
| Cu1Ni2Au0.8 |
| Cu2Ni5 |
| Zn/Cu6Ni6 |
| Ni5 |

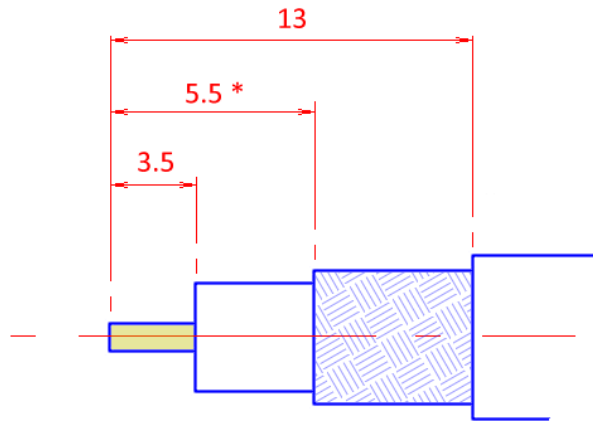
Electrical characteristics:

| | |
|---------------------------------------|--------------------------------|
| Impedance | 75 Ω |
| Frequency | 0-3 GHz |
| Typical return loss (cable dependent) | 1 GHz 36 dB |
| | 2 GHz 31 dB |
| | 3 GHz 29 dB |
| Working voltage | ≤ 500 V _{eff} / 50 Hz |
| Voltage proof | 1.5 kV _{eff} / 50 Hz |
| Insulation resistance | ≥ 5 GΩ |
| Centre contact resistance | ≤ 20 mΩ |
| Outer contact resistance | ≤ 5 mΩ |

Environmental:

| | |
|-----------------------|----------------|
| Operating temperature | -40°C to +75°C |
| RoHS compliant | 2002/95/EC |

Cable Prep:

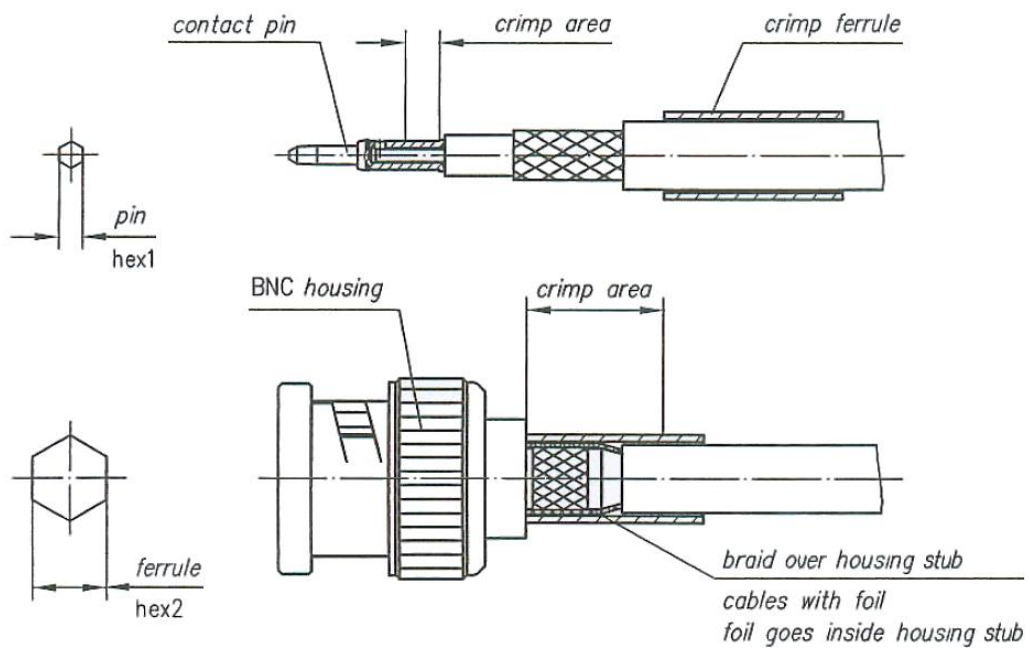


All dims: mm

Not to scale

* If foil screen present cut even with braid

Crimp Details:



| | | |
|------|---------|------|
| Hex1 | Pin | 1.25 |
| Hex2 | Ferrule | 5.41 |

Tooling:

55-752 PALADIN 8000 Coaxial crimp tool

55-764 PALADIN 3703 DIE SET for group Y and Telegartner BNC HD groups Q, X, Y

Handset and die sold as singular item:

55-3221 CANFORD COAXIAL CRIMP TOOL Blue, for Telegartner BNC, cable groups Q, X, Y