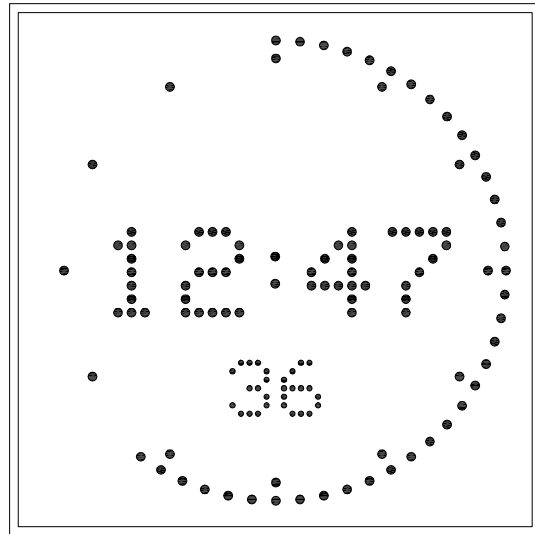
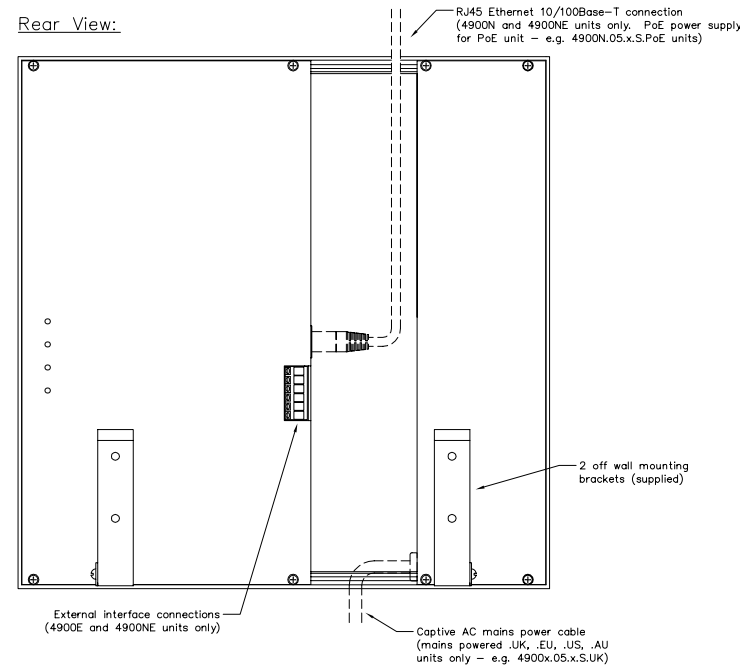


All Dimensions in mm unless otherwise stated

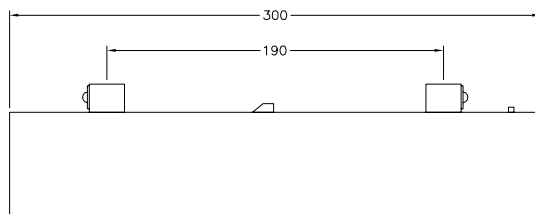
Front View:



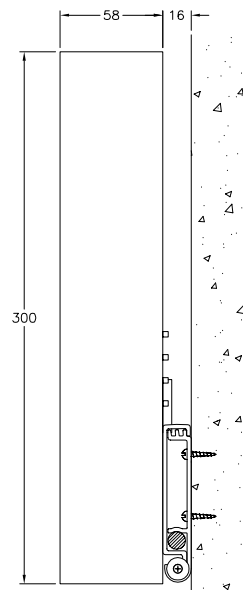
Rear View:



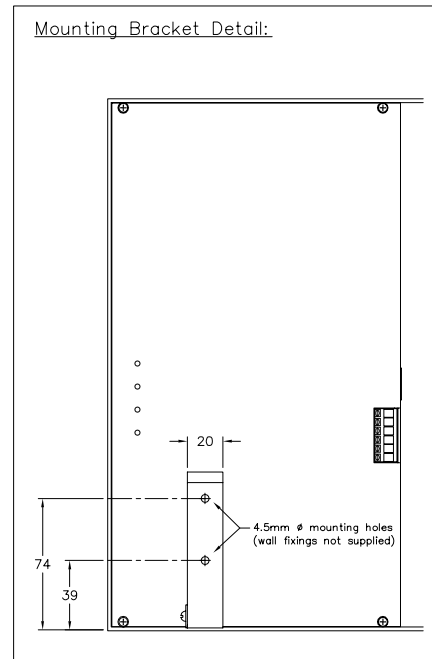
Top View:



Side View:



Mounting Bracket Detail:



4900x.05.x.S Surface mounting digital clock with circleline seconds

Display: Hours & minutes – 50mm (2.0”) high dot matrix LED display
Seconds – 30mm (1.2”) high dot matrix LED display

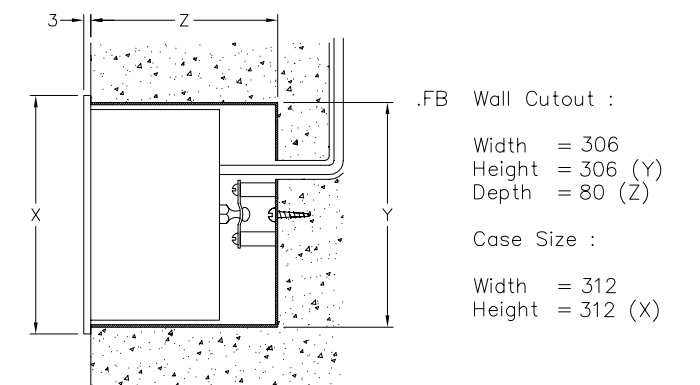
Case size: 300 x 300 x 58mm (11.8” x 11.8” x 2.3”) – excluding wall mounting brackets

Standard operating modes: 4900E – Standalone, w482, GPS, MSF, DCF, Stopwatch (via IR remote or external switches)
4900N – Standalone, NTP/SNTP, Stopwatch (via IR remote)
4900NE – Standalone, NTP/SNTP, w482, GPS, MSF, DCF, Stopwatch (via IR remote or external switches)

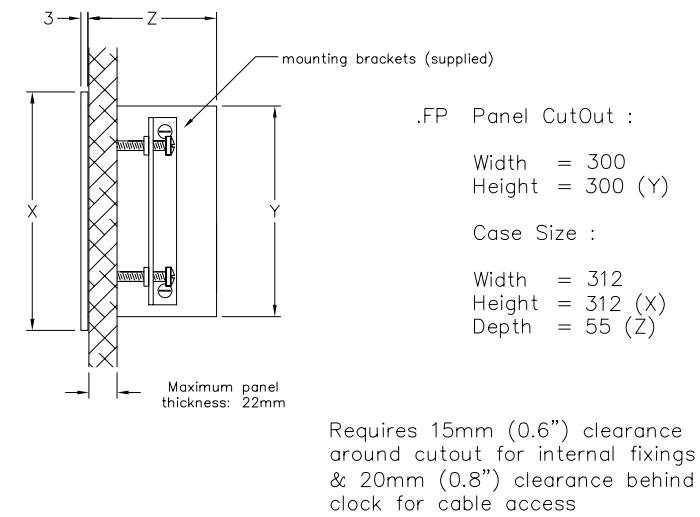
Power Supply Options: .PoE – Mid-span or end-span PoE power source to IEEE 802.3af
.UK, .EU, .US & .AU – 110–230V AC, 50/60Hz mains power supply

Supplied with wall mounting brackets

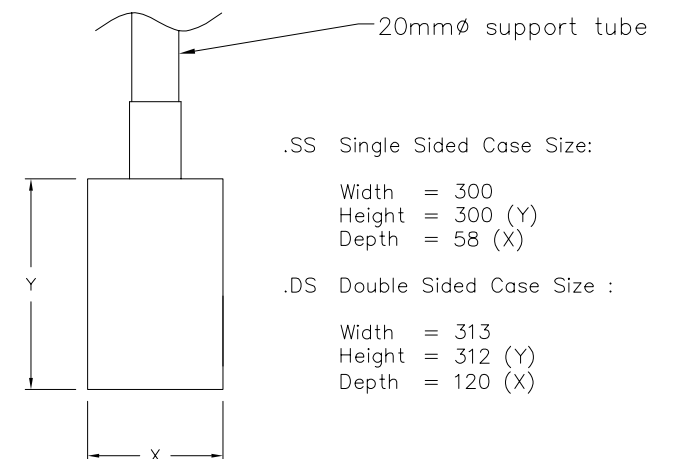
.FB Side View: Solid Wall Flush Mounting Backbox



.FP Side View: Flush Panel Mounting With Rear Access



.SS Side View: Single Sided Ceiling Suspended
.DS Side View: Double Sided Ceiling Suspended



WHARTON ELECTRONICS LTD

Unit 15, Thame Park Business Centre, Wenman Road
Thame, Oxon, England. OX9 3XA

Telephone 01844 260567
web www.wharton.co.uk

Fax 01844 218855
email sales@wharton.uk

Title

4900x.05.x Digital Clock
With Circleline Seconds

Drawn

AS

Revision

Approved

Date

14/03/2016

Drawing Number

16/066