

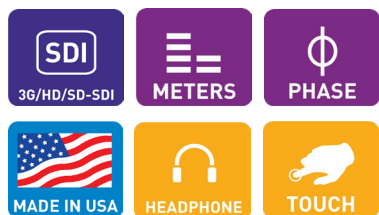
eAMP1-8-M & 16-M

Dual Input 3G/HD/SD-SDI 8 or 16 Channel Audio Monitors



Single 7" screen, compact, low-cost unit to select and monitor up to 8 audio channels (8-M), or 16 audio channels (16-M), from either of two 3G/HD/SD-SDI inputs.

Replacements for the AMP1-8 & 16-M's, the eAMP1-8-M and eAMP1-16-M offer fast, intuitive operation for monitoring SDI audio in the most demanding production applications. Whether in the studio or on the road, these models provide simultaneous selection and summing of any grouping of SDI audio pairs. They feature adjustable volume and balance controls, clear display of levels, and phase indications on a bright 7" LED-backlit LCD display.



Features/Benefits

- Simultaneous level metering of 8 or 16 channels of de-embedded audio channels from SDI
- Touch-enabled or scroll and push selection of any pairs to sum for monitoring
- Monitor through built-in speakers, headphones and analog outputs with optional muting for internal speakers
- Stereo or mono monitoring
- Stereo phase indicators
- Adjustable Volume and Balance
- Switch between monitoring channels 1-8 and 9-16 (8-M), or monitor all 16 channels simultaneously (16-M)
- Balanced stereo analog outputs on XLR-Ms with fixed level or volume /balance configuration options.
- Automatic frame rate detection and selection
- Selectable line level or front panel volume control and outputs
- Shallow chassis depth for easy installation in OB vehicles and consoles
- OPT-DOLBY adds decoding of *Dolby D, DD+ and E (requires OPT-epackage)
- APIs provide easy integration with 3rd party systems (requires OPT-epackage)

OPT-epackage adds:

- Presets
- Loudness Monitoring
- Web metering/monitoring/configuration

Model	Part ID	Description
eAMP1-8-M	8300-0140	1RU - includes Dual 3G-SDI inputs, and a pair of Analog outputs on XLR.
eAMP1-16-M	8300-0240	1RU - includes Dual 3G-SDI inputs, and a pair of Analog outputs on XLR.
Options		
OPT-e package	829186	Adds Loudness monitoring, Presets & Web metering/monitoring/configuration
OPT-DOLBY	829174	Allows decoding and monitoring of Dolby® D, DD+ & E. Includes Dolby Zoom & metadata. *This option requires OPT-e package

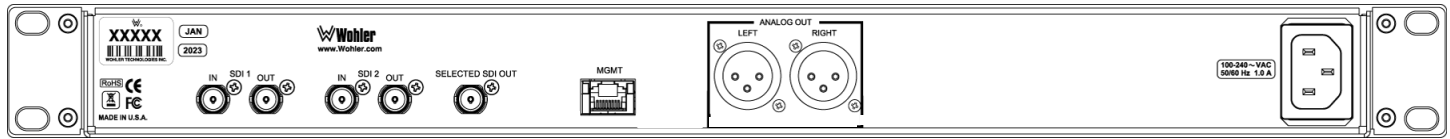


eAMP1-8-M & 16-M

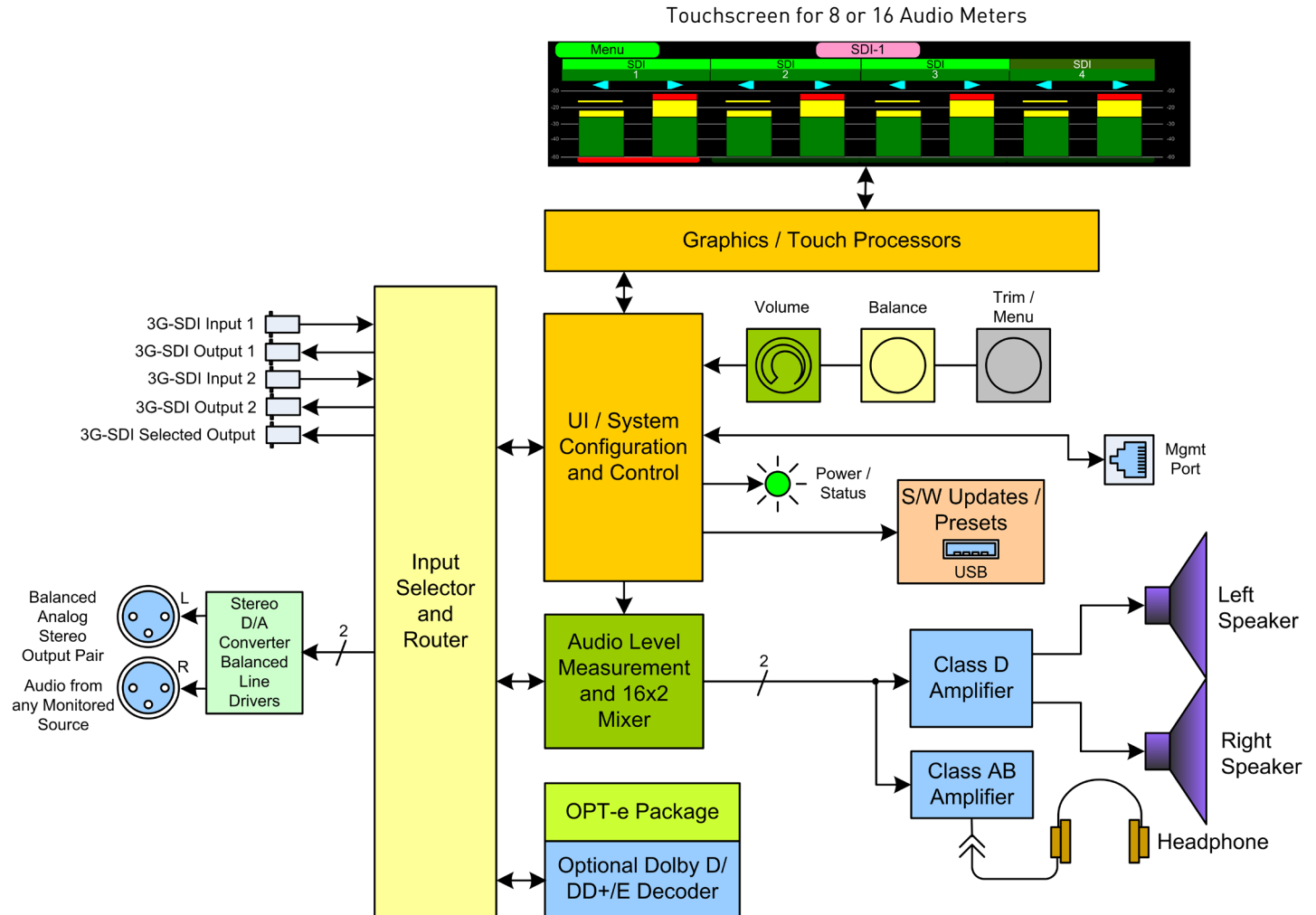


Dual Input SDI 8 or 16 Channel Audio Monitors

Rear Panel & Option Cards



Block Diagram



Specifications	
Dimensions (W x H x D)	1RU in standard 19" rack: 19" x 1.75" x 5.5" (483 mm x 45 mm x 140 mm). Shipping dims: 23"x 6"x 12"
Shipping Weight / Net Weight	5.8 lbs. (2.6 kg) / 3.3 lbs. (1.5 kg)
Power Consumption / Supply	19W, 100 to 240 VAC ± 10%, 50-60 Hz, CE & UL approved
Display Type / Resolution	7" (178 mm) LCD Capacitive Touchscreen; 1242H x 280V
Viewing Angle	160° (H) x 160° (V)
Audio Channels	8 (8M) or 16 (16M)
Hum and Noise	Better than -68 dB below full output
Peak Acoustic Output	90 dB SPL @ 2 feet
Speaker Power Output	5W RMS per side, 12W Peak
Upgrades	Via USB or GUI web interface
APIs	Provide easy integration with 3 rd party control systems

Specifications subject to change, errors and omissions excepted
 All trademarks, product names and images are the property of their respective owners
 Any rights not expressly granted herein are reserved. REV: 06/01/23