



PSM® 700

Wireless Personal Monitor System User Guide

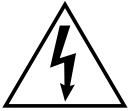
Système de retour personnel sans fil Guide de l'utilisateur

Drahtloses individuelles Monitorsystem Bedienungsanleitung

Sistema de monitor personal inalámbrico Guía del usuario

Radiosistema di controllo personale Guida all'uso





This symbol indicates that dangerous voltage constituting a risk of electric shock is present within this unit.



This symbol indicates that there are important operating and maintenance instructions in the literature accompanying this unit.



WARNING!

USING THIS SYSTEM AT EXCESSIVE VOLUMES CAN CAUSE PERMANENT HEARING DAMAGE. USE AS LOW A VOLUME AS POSSIBLE.

In order to use this system safely, avoid prolonged listening at excessive sound pressure levels. Please use the following guidelines established by the Occupational Safety Health Administration (OSHA) on maximum time exposure to sound pressure levels before hearing damage occurs.

90 dB SPL at 8 hours
95 dB SPL at 4 hours
100 dB SPL at 2 hours
105 dB SPL at 1 hour
110 dB SPL at ½ hour
115 dB SPL at 15 minutes


120 dB SPL — avoid or damage may occur

It is difficult to measure the exact Sound Pressure Levels (SPL) present at the eardrum in live applications. In addition to the volume setting on the PSM, the SPL in the ear is affected by ambient sound from floor wedges or other devices. The isolation provided by the fit of quality earpieces is also an important factor in determining the SPL.

Here are some general tips to follow in the use of this product to protect your ears from damage.

- Turn up the volume control only far enough to hear properly.
- Ringing in the ears may indicate that the gain levels are too high. Try lowering the gain levels. Have your ears checked by an audiologist on a regular basis. If you experience wax buildup in your ears, stop using the system until an audiologist has examined your ears.
- Wipe the ear molds with an antiseptic before and after use to avoid infections. Stop using the earphones if they are causing great discomfort or infection.

! IMPORTANT SAFETY INSTRUCTIONS !

1. READ these instructions.
2. KEEP these instructions.
3. HEED all warnings.
4. FOLLOW all instructions.
5. DO NOT use this apparatus near water.
6. CLEAN ONLY with dry cloth.
7. DO NOT block any ventilation openings. Install in accordance with the manufacturer's instructions.
8. DO NOT install near any heat sources such as radiators, heat registers, stoves, or other apparatus (including amplifiers) that produce heat.
9. DO NOT defeat the safety purpose of the polarized or grounding-type plug. A polarized plug has two blades with one wider than the other. A grounding type plug has two blades and a third grounding prong. The wider blade or the third prong are provided for your safety. If the provided plug does not fit into your outlet, consult an electrician for replacement of the obsolete outlet.
10. PROTECT the power cord from being walked on or pinched, particularly at plugs, convenience receptacles, and the point where they exit from the apparatus.
11. ONLY USE attachments/accessories specified by the manufacturer.
12.  USE only with a cart, stand, tripod, bracket, or table specified by the manufacturer, or sold with the apparatus. When a cart is used, use caution when moving the cart/apparatus combination to avoid injury from tip-over.
13. UNPLUG this apparatus during lightning storms or when unused for long periods of time.
14. REFER all servicing to qualified service personnel. Servicing is required when the apparatus has been damaged in any way, such as power-supply cord or plug is damaged, liquid has been spilled or objects have fallen into the apparatus, the apparatus has been exposed to rain or moisture, does not operate normally, or has been dropped.
15. DO NOT expose the apparatus to dripping and splashing. DO NOT put objects filled with liquids, such as vases, on the apparatus.
16. The MAINS plug or an appliance coupler shall remain readily operable.
17. The airborne noise of the apparatus does not exceed 70dB (A).
18. Apparatus with CLASS I construction shall be connected to a MAINS socket outlet with a protective earthing connection.
19. To reduce the risk of fire or electric shock, do not expose this apparatus to rain or moisture.
20. Do not attempt to modify this product. Doing so could result in personal injury and/or product failure.

Quickstart

P7T Transmitter Setup

1. Connect the transmitter to a power outlet using the supplied power cord.

NOTE: Keep wall plug or rear power cord connection readily accessible. To completely remove power to the unit, unplug from wall or detachable rear power cord connection.

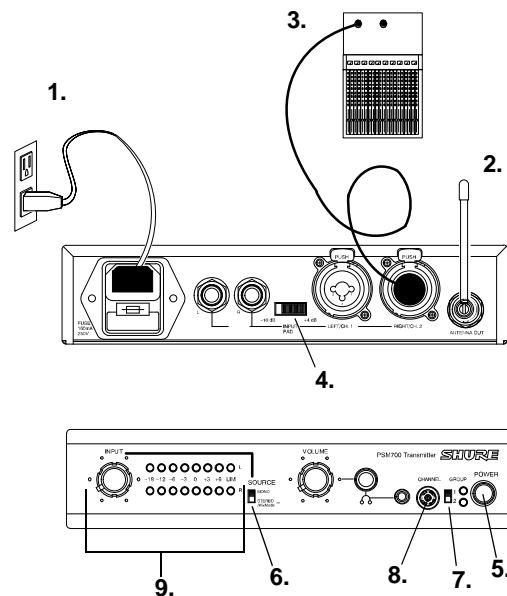
2. Attach the supplied antenna to the ANTENNA OUT BNC connector.
3. Connect an audio source, such as a mixer, to the audio inputs of the transmitter. You can use both input jacks or choose either one for a mono source.

NOTE: All inputs are phantom power protected up to 60 VDC.

4. Set the PAD switch to either +4 dB or -10 dB depending on the signal level from the audio source.
5. Turn on the transmitter.
6. Set the SOURCE switch to MONO if you are using only one input. Otherwise set it to STEREO/MixMode.
7. Set the GROUP switch UP to group 1.
8. Set the CHANNEL dial to an unused channel.

NOTE: See *Selecting Channels*.

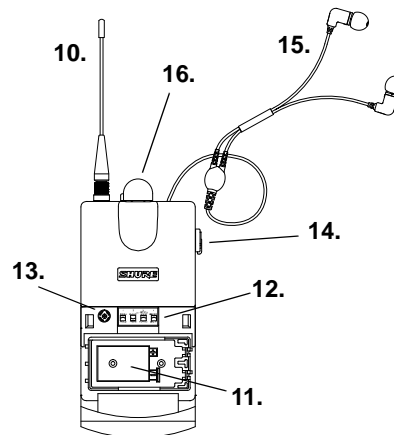
9. Power on the audio source and adjust the level control until the LEDs are in the -3 dB to +3 dB range.



P7R Receiver Setup

10. Attach the antenna to the ANTENNA connector. Use the red dot to align the threads.
11. Insert a 9V alkaline battery.
12. Set the DIP switches (See *Dip Switches*)
13. Set the channel to the same one as the transmitter.
14. Set the balance control to the center detent position.
15. Plug in the earphones and insert the earphones into your ears.
16. Turn the receiver on by rotating the volume dial clockwise past the click.

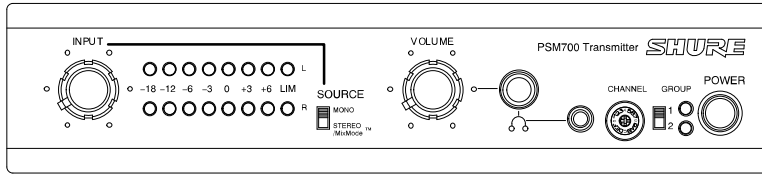
NOTE: If you do not hear anything, check the RF LED on the transmitter to make sure it is receiving the radio signal from the transmitter.



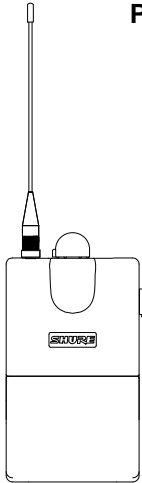
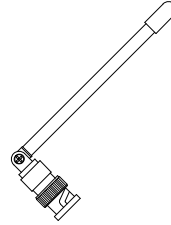
Refer to the *Troubleshooting* section of this manual if you encounter any problems.

LOWER THE VOLUME before troubleshooting the problem.

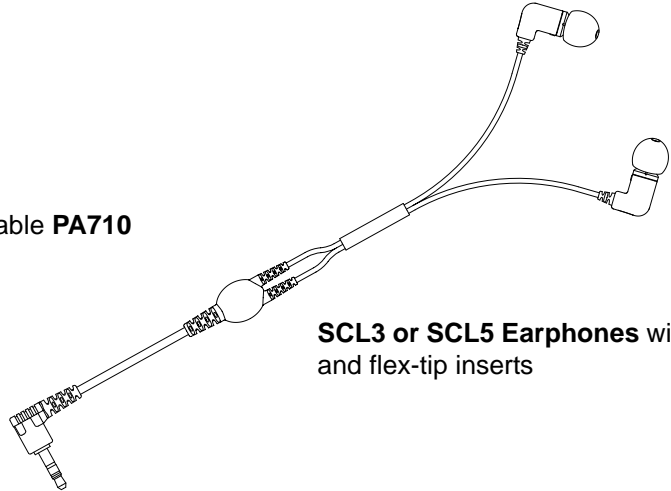
Components



P7T Transmitter with rack-mounting hardware and detachable PA715 antenna



P7R Body-Pack Receiver with detachable PA710 antenna



SCL3 or SCL5 Earphones with foam and flex-tip inserts

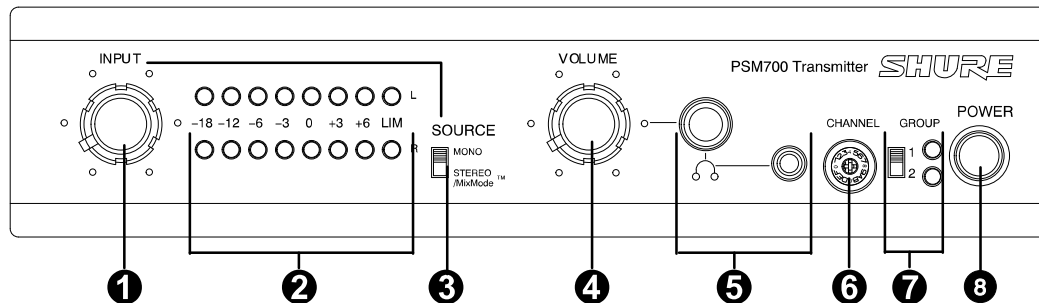
Features

- UHF operation.
- Stereo or MixMode™ control for custom monitor mixes.
- 32 user-selectable frequencies per system.
- Up to 16 compatible frequencies for 16 different mixes.
- Frequency compatible with all Shure Wireless systems (country dependent).
- MPX Stereo audio transmission.
- Switchable high-frequency boost on P7R.
- +4 dBu and -10 dBV input level select switch on P7T.
- Electronically balanced, combined 1/4-in. and XLR connectors on P7T can be used with balanced or unbalanced outputs.
- Volume and Balance dials on the P7R Receiver.
- Internal linear power supply on P7T, switchable between 120 VAC and 230 VAC.
- Peak transmitter modulation limiter with fixed threshold and modulation limit indicators.
- Loop out connectors on P7T for multiple mix setups and easy installation.
- Tone-Key squelch.
- Half-rack chassis on P7T complete with mounting hardware.
- All metal construction on P7T and P7R.
- Headphone monitor on P7T for local listening.
- Earphones reduce ambient sound levels by sealing off the ear canal

Controls and Connectors

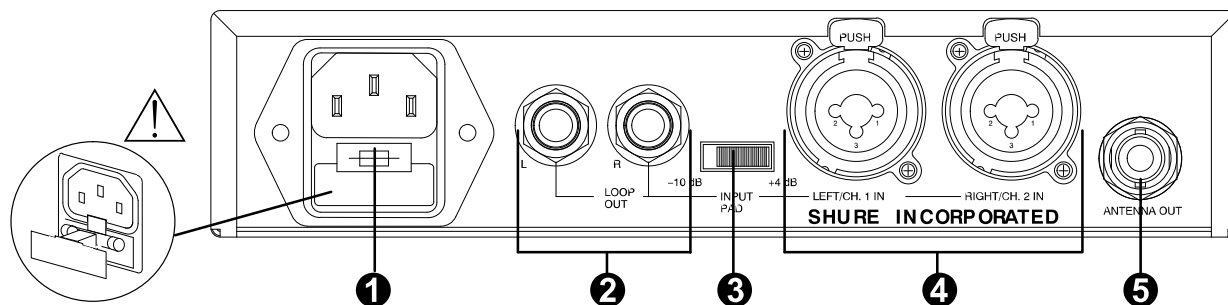
P7T Transmitter

Front Panel



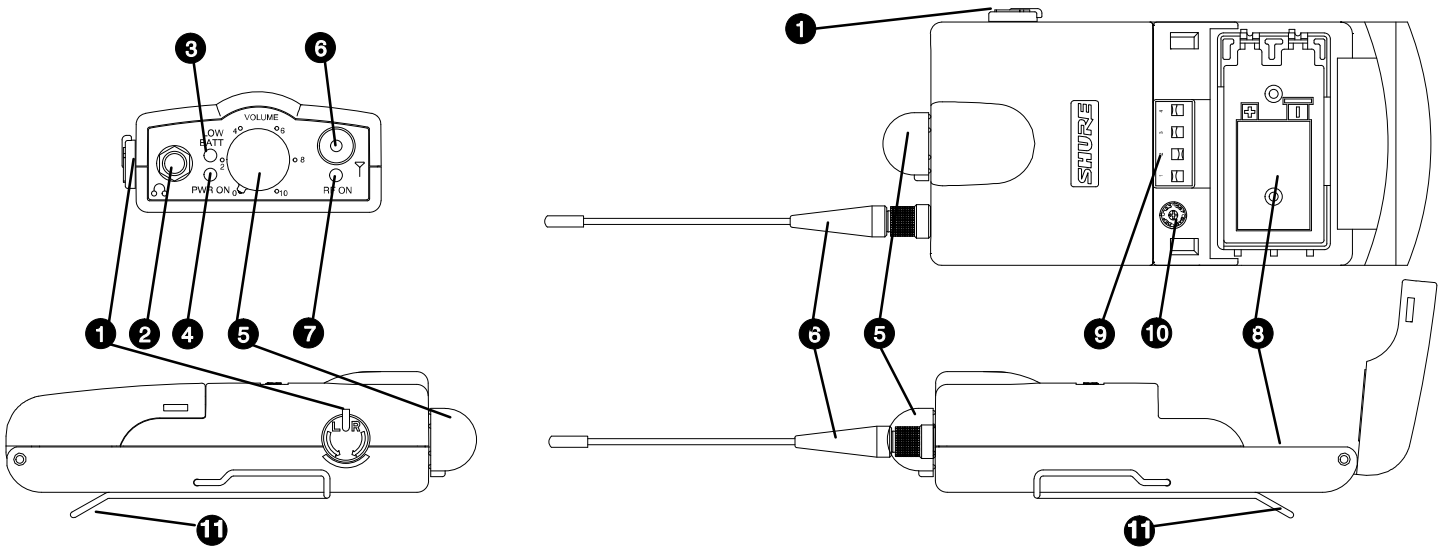
- 1 **Input Control (INPUT).** Controls the input level to the transmitter modulator. For optimum sound quality, adjust this control to keep the INPUT meter in the -3 dB to $+3$ dB range.
- 2 **Stereo Input Meters.** Indicates the modulation level of the radio signal.
Important: When the LIM (limit) LEDs illuminates, the system is overdriven. Reduce the input level.
- 3 **SOURCE Switch.** Set the SOURCE switch to MONO if you are using only one input. Otherwise, set it to STEREO/MixMode.
- 4 **Earphone Volume Control (VOLUME).** Adjusts the volume at the transmitter's earphone connector. This control does not affect the sound level at the receiver.
- 5 **Earphone Connectors: 1/4 in phone and 3,5 mm (1/8 in) mini.**
Left=tip, right=ring, ground=sleeve. Note that only one of these outputs can be used at a time.
- 6 **Channel Select Control (CHANNEL).**
See *Selecting Channels*.
- 7 **Channel Group Switch (GROUP).**
See *Selecting Channels*.
- 8 **Power Button (POWER).**

Rear Panel



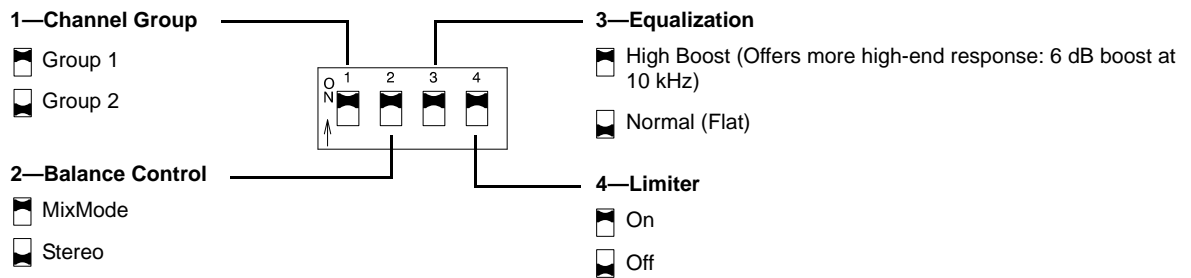
- 1 **Power Connector and Fuse.** Connect the transmitter to a power outlet using the supplied power cord. The fuse is located in the bottom drawer.
- 2 **LOOP OUT Connectors — 1/4 in phone, balanced.** See the *LOOP Applications* section of this manual.
- 3 **INPUT PAD Switch.** Set the PAD switch to either $+4$ dB or -10 dB depending on the signal level of the audio source you are connecting to the transmitter's inputs. (Refer to the output specifications for the audio source.)
- 4 **Input Connectors (LEFT/CH. 1 and RIGHT/CH. 2).** Connect to balanced or unbalanced outputs. Accepts both 1/4-inch phone or male XLR connectors. Either connector can be used for mono input.
- 5 **Antenna Connector (ANTENNA OUT).** 50Ω , BNC connector. Attach the supplied antenna, or, if you are rackmounting the transmitter, see *Front Mounting the Antenna*.

P7R Receiver



- 1 Balance Control.** In stereo mode, this controls the left/right balance. In MixMode™, it controls the relative level of the two transmitter inputs.
- 2 Earphone Connector.** 3,5 mm (1/8-in.) phone jack connects to the earphones. Left=tip, right=ring, ground=sleeve.
- 3 Low Battery LED (LOW BATT).** Illuminates when the battery has approximately 45 minutes of operating time remaining, depending on the volume.
- 4 Power LED (PWR ON).** Illuminates when the power is ON and the battery is good.
- 5 Power Switch and Volume Control (VOLUME).**
- 6 Antenna and Connector.** Attach the antenna to the antenna connector. Use the red dot to align the threads.
- 7 RF Signal LED (RF ON).** Illuminates when the P7R is receiving a signal from the transmitter.
- 8 Battery Compartment.** Accepts one 9-volt battery. Open the door by pressing the latches on both sides and pulling.
- 9 DIP Switches.** See *DIP Switches* or the label on the inside cover of the battery door.
- 10 Channel Selector.** See *Selecting Channels*.
- 11 Reversible Belt Clip.** Belt clip can be removed and installed in the reverse position so the antenna points down when the body-pack is worn.

DIP Switches

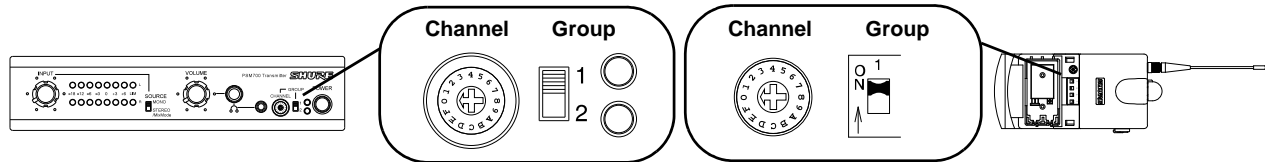


IMPORTANT: The limiter responds to unexpected signal peaks. It does not prevent long-term exposure to high SPL levels. **This limiter is optimized for Shure E-Series earphones. The maximum limited SPL may be different for other earphones.** Do not switch the limiter off unless you are using an external limiter.

Selecting Channels

The PSM700 system offers a total of 32 channels. These are split into two groups: Group 1 (channels 1–16) and Group 2 (channels 17–32). Change channels if you encounter interference or need to operate more than one system at a time.

- The transmitter and receiver must be set to the same group and channel.
- Multiple systems must use different channels.
- Use the supplied screwdriver to rotate the channel control.



Channel Scan Mode

If you have difficulty finding a clear channel, use the receiver's Channel Scan Mode. Normally, the receiver mutes if it does not detect a signal from the transmitter. In this mode, the receiver remains unmuted, so you can listen for interference.

1. Turn off all PSM700 transmitters (leave other wireless systems on).
2. Set the receiver to group 1 (DIP switch 1 UP) and channel 1 (rotary channel select).
3. **Lower the volume on the receiver** to a minimal level and insert the earphones.
4. Turn on the receiver and, **within 5 seconds** of power up, flip DIP switch 1 down and up again.
5. Listen to all the channels in groups 1 and 2:
 - Clear channels will produce pure, uninterrupted white noise.
 - Any noises like clicks or buzzes indicate interference from another device.
6. Turn the receiver off and on again to return to normal operating mode. Select the channel with the least interference.

Monitoring the Performers' Mixes

When setting up multiple systems, use an extra receiver to check and monitor each transmitter. Set the group and channel controls on the extra receiver to whichever transmitter you want to monitor. If necessary, adjust the balance control to check for proper stereo or MixMode operation.

Troubleshooting

PROBLEM	SOLUTION
No sound at the Receiver	<ul style="list-style-type: none"> • Make sure the transmitter is plugged in and powered on. • Listen to the headphone monitor on the transmitter to check the audio source input. • Make sure the transmitter and receiver are set to the same channel and group. • Make sure the earphone is plugged into the receiver. • Make sure receiver is on and the battery is good. • Make sure the receiver and transmitter antennas are correctly attached.
Short Receiver Range	<ul style="list-style-type: none"> • Make sure all antennas are fully inserted into the jacks. • Maintain line-of-sight between transmitter and receiver. • Try a different group and channel setting. • Check for television channel interference. • Make sure the PA715 antenna is not remote mounted.
Receiver sounds fuzzy or distorted	<ul style="list-style-type: none"> • Make sure no other transmitters are operating on your frequency. • Make sure transmitter input level is 0 dB, ± 3 dB. • Listen to the headphone monitor on the transmitter to check the audio source input. • Try to maintain a minimum of 10 ft. between transmitter antennas and receiver when using multiple transmitters.
Low audio output at the receiver earphones	<ul style="list-style-type: none"> • Make sure transmitter input level is 0 dB, ± 3 dB. If not, switch the transmitter pad to the -10 dBV position.

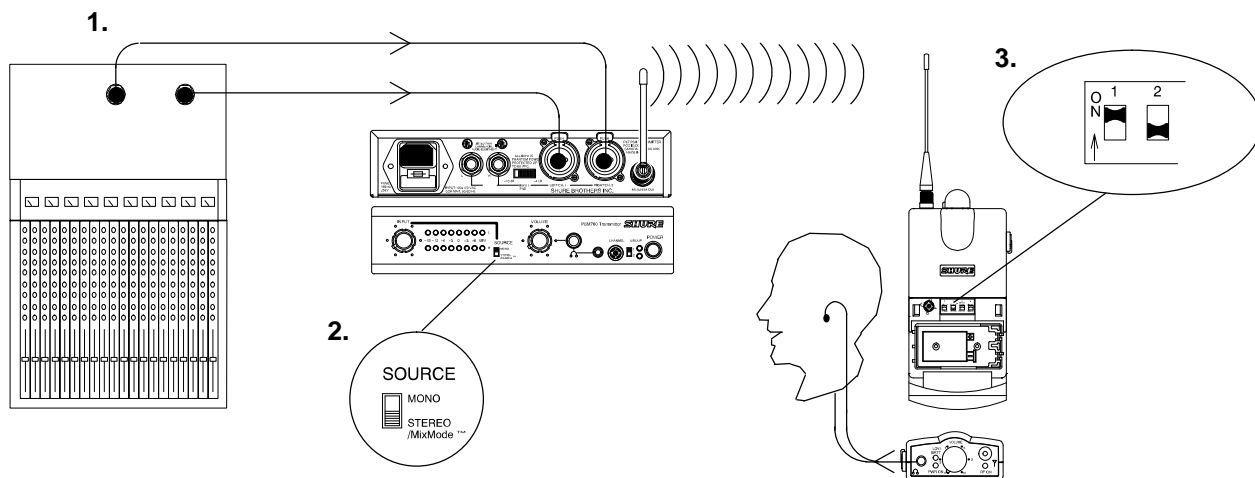
Operating Modes

This section illustrates the three basic modes of operation. For additional installations, including those for multiple systems, see the *LOOP Applications* section.

NOTE: Although a mixing console is shown as the audio source in the following diagrams, you can use any balanced or unbalanced outputs at LINE level (for example, CD players, DAT machines, and microphone preamplifiers). **For best results, use LINE level audio signals.**

Stereo

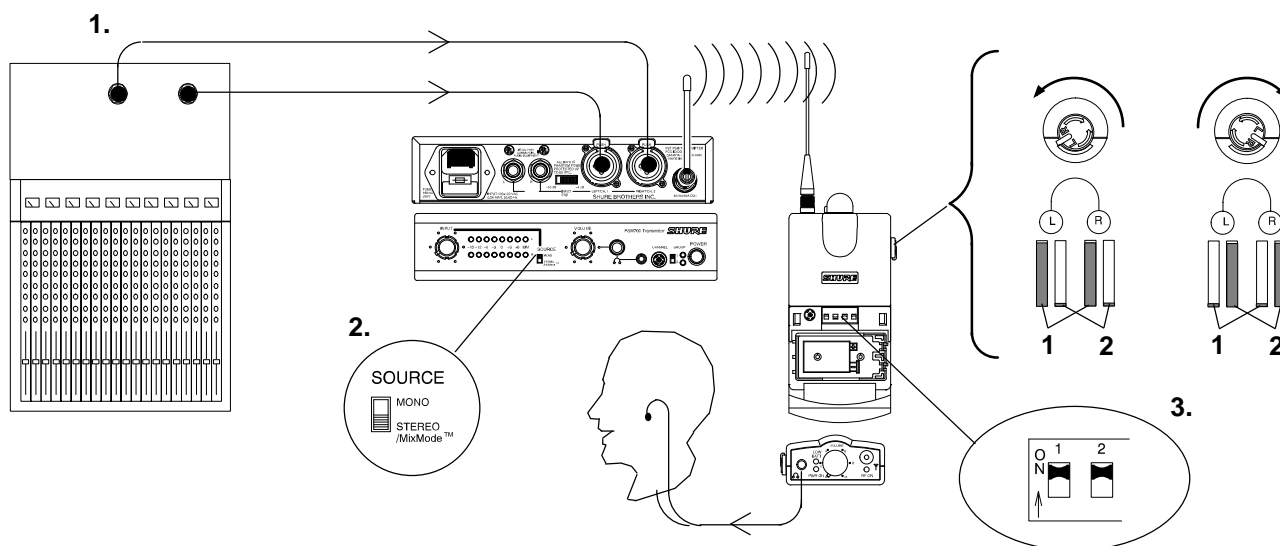
Use this setup when outputs 1 and 2 from the mixer are the left and right channels of a stereo mix. The left channel goes to the left earphone, and the right channel goes to the right earphone. The balance control on the receiver moves the stereo image left and right.



1. Connect the mixer outputs to the transmitter.
2. Set the SOURCE switch on the P7T front panel to STEREO.
3. Set DIP switch 2 of the P7R Receiver to STEREO.

MixMode™ Operation

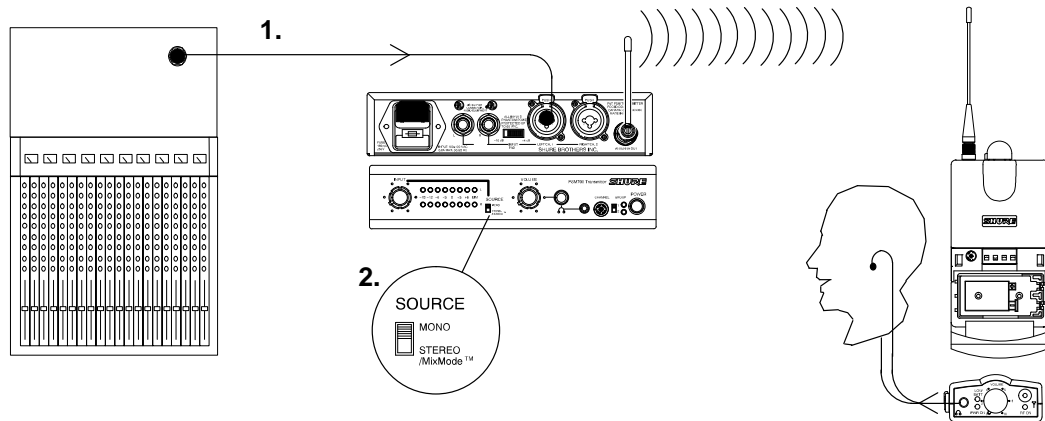
Use this setup when outputs 1 and 2 from the mixer are different mono mixes. Each mix goes to both earphones. The performer uses the balance control on the receiver to make one mix louder than the other. The total volume remains equal in both ears.



1. Connect the mixer outputs to the transmitter.
2. Set the SOURCE switch on the P7T transmitter to STEREO/MixMode.
3. Set DIP switch 2 on the receiver to MixMode.

Mono

Use this setup when there is only one output from the mixer.



1. Connect the mixer to either the Left/CH.1 or Right/CH.2 input of the transmitter.
2. Set the SOURCE switch on the transmitter to MONO.

NOTE: The setting of Dip switch 2 on the receiver has no effect in this setup.

LOOP Applications

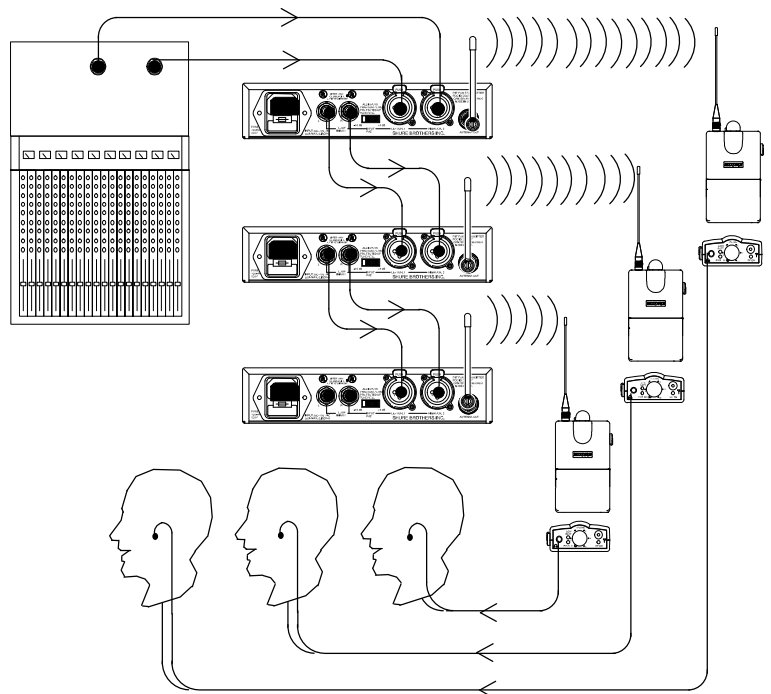
Use the LOOP OUT L (left) and R (right) outputs to send a copy of the audio signal going into the transmitter to other devices. Shown here are a few examples of the many applications for the LOOP outputs.

NOTE: The input level control and the input pad do not affect the level of the LOOP signals.

Stereo for Multiple Systems

Use the LOOP OUT connectors to send one stereo signal from the mixing console to multiple P7T or P6T wireless transmitters. This frees up sends on the mixing console for other uses.

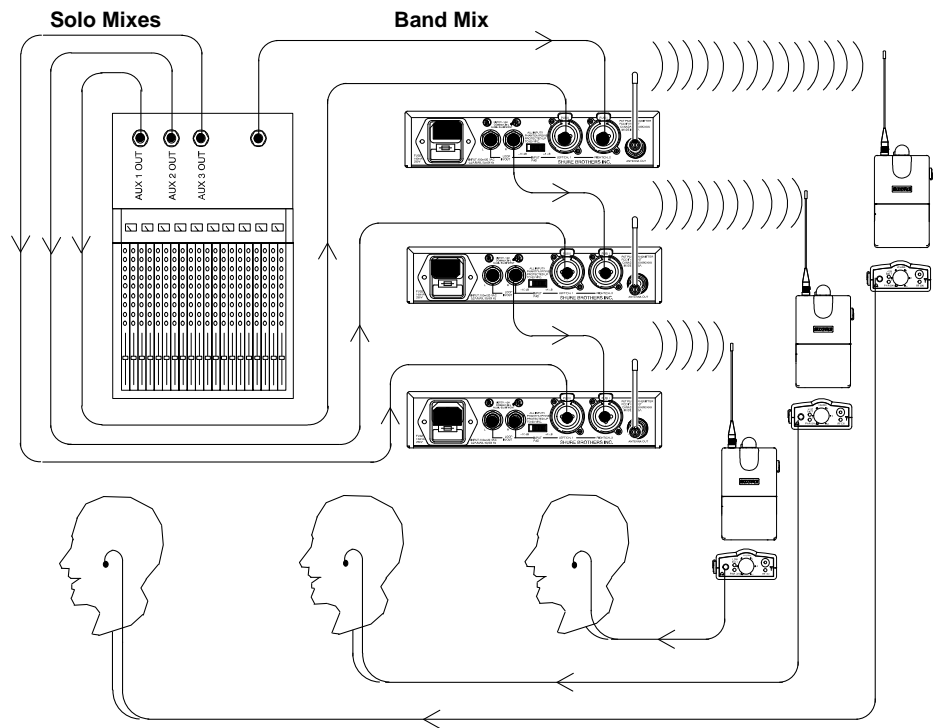
Set up each system for stereo control as shown in the *Stereo Control* section. Connect the first transmitter to the mixer. Connect the next transmitter to the first transmitter's LOOP outputs. Form a chain using all the transmitters in your installation.



MixMode for Multiple Systems

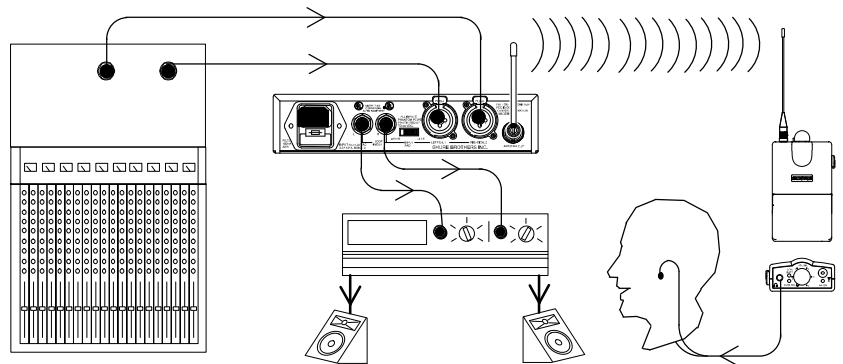
Some performers need to hear more of their own voice or instrument, while others want to hear more of the band. With this setup, each performer hears a combination of the whole band and their own instrument, and they can use the receiver's balance control to create the desired mix of the two.

Setup each system for MixMode. From the mixing console, send a mix of the whole band to input 2 of the first transmitter. Connect input 2 of the next transmitter to the LOOP OUT R output of the first transmitter. Continue the chain with all the transmitters. Next, create solo mixes for each performer using the auxiliary outputs of the mixing console. Send these mixes to input 1 of each performer's transmitter.



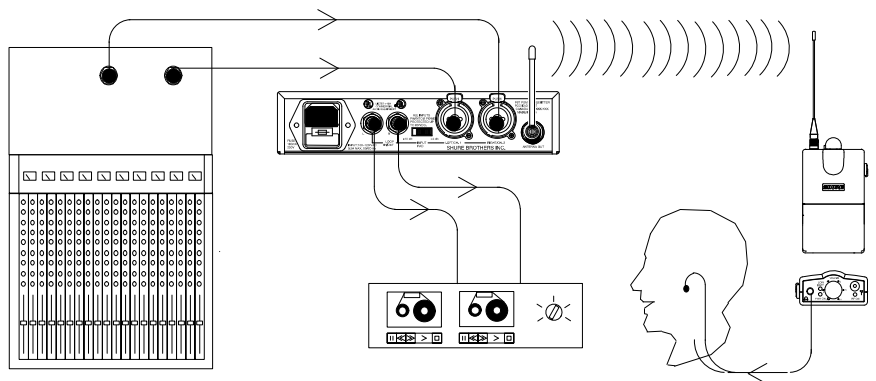
Floor Monitors

Connect the LOOP OUT connectors to the amplifier for onstage loudspeakers. The P7R and the onstage monitors will have the same audio.



Recording Devices

To record a performance, connect the LOOP outputs to the inputs of a tape deck, DAT, or other recording device.



Specifications

SYSTEM

RF Carrier Frequency Range

524-952 MHz (Available frequencies vary, depending on applicable regulations in the country where the system is used)

Operating Range

90 m (300 ft.), under optimum environmental conditions

Audio Frequency Response

50 to 15k Hz (+0, -3 dB @1 kHz); earphone dependent

Image Rejection

80 dB typical

Spurious Rejection

80 dB typical

Total Harmonic Distortion (@1 kHz)

0.8% typical (Ref. ± 35 kHz deviation)

Modulation

FM ± 35 kHz deviation (nominal), MPX Stereo

Channel Separation

35 dB typical

Signal-to-Noise Ratio

80 dB typical (A-weighted)

Operating Temperature

-7° C to +49° C (+20° F to 120° F)

NOTE: Electrical safety approval is based on a maximum ambient temperature of 35°C.

Battery Life

4-6 hours, volume dependent

Polarity

P7T audio inputs to P7R audio outputs: Non-inverting

XLR: pin 2 positive with respect to pin 3

1/4 in TRS: Tip positive with respect to ring

P7R RECEIVER

RF Sensitivity

0.7 μ V typical

Squelch Threshold

2 μ V typical

Antenna Input Impedance

50 Ω typical

Antenna

External, threaded connector

Power

9 V battery (alkaline recommended),
4-6 hours (volume dependent)

Audio Output Connector

3.5 mm Stereo (Left = tip, Right = ring, Ground = sleeve)

Minimum Load Impedance

16 Ω

Net Weight

0.23 kg (0.52 lbs.)

Overall Dimensions

27.18 mm X 64.52 mm X 85.09 mm
(1.070 in X 2.540 in X 3.350 in)

P7T TRANSMITTER

RF Output Power

100 mW (+18.5 dBm) typical conducted, U.S.A. and Canada
(varies with other countries)

Modulation Limiter

Internal peak limiter (>10:1 compression)

Antenna

External whip, 50 Ω BNC connector

Power Requirements

P7T: 90-120 VAC, 50/60 Hz

EP7T: 220-240 VAC, 50/60 Hz

NOTE: This product is not disconnected from the mains power supply when the power switch is in the OFF position.

Current

115 mA maximum at 120 VAC

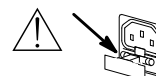
55 mA maximum at 230 VAC

Fuse

P7T: 90-120 VAC, 160 mA/250 V (SLO-BLO®)

EP7T: 220-240 VAC, 80 mA/250 V time delay

5mm X 20mm



Dimensions

44.5 mm X 196.8 mm X 241.3 mm
(1 3/4 in X 7 3/4 in X 9 1/2 in.)

Net Weight

1.497 kg (3 lb, 4.8 oz.)

P7T Audio Inputs (LEFT/CH.1 and RIGHT/CH.2)

	XLR	1/4-inch Phone Jack
Configuration	Electronically Balanced	Electronically balanced
Actual Impedance	20 k Ω	20 k Ω
Nominal Input Level	+4 dBu (+4 input level) -10 dBV (-10 input level)	+4 dBu (+4 input level) -10 dBV (-10 input level)
Maximum Input Level	+25 dBu (+4 input level) +13 dBu (-10 input level)	+25 dBu (+4 input level) +13 dBu (-10 input level)
Pin Assignments	Pin 1 = ground Pin 2 = hot Pin 3 = cold	Tip = hot Ring = cold Sleeve = ground
Phantom Power Protection?	Yes, up to 60 VDC	Yes, up to 60 VDC


P7T Outputs (L/R LOOP)

Configuration:	Electronically Balanced
Actual Impedance:	20 k Ω
Nominal Output Level:	+4 dBu (+4 input level) -10 dBV (-10 input level)
Maximum Output Level:	+25 dBu (+4 input level) +13 dBu (-10 input level)
Pin Assignments:	Tip = hot Ring = cold Sleeve = ground
Phantom Power Protection?	Yes, up to 60 VDC

Certification

P7T: Certified to FCC Parts 74, FCC ID DD4P7T. DD4P7TB Certified in Canada by IC to RSS-123.

UL and cUL LISTED to UL813 and CSA C22.2 No. 1.

TÜV DENAN  Certified to J 60065.

EP7T: Meets essential requirements of European R&TTE Directive 99/5/EC, eligible to bear CE marking. Type approved to EN 300 422 Parts 1 and 2. Meets requirements of EMC Standard EN 301 489 Parts 1 and 9. VDE GS Certified to EN 60065.

P7R: Approved under the Declaration of Conformity (DoC) provision of FCC Part 15. Certified in Canada by IC to RSS-123. Meets essential requirements of European Union R&TTE Directive 99/5/EC, eligible to bear CE marking. Meets requirements of EMC Standard EN 301 489 Parts 1 and 9.

This Radio Equipment is intended for use IN MUSICAL PROFESSIONAL ENTERTAINMENT AND SIMILAR APPLICATIONS.

NOTE: This Radio apparatus may be capable of operating on some frequencies not authorized in your region. Please contact your national authority to obtain information on authorized frequencies for wireless microphone products in your region

Licensing: A ministerial license to operate this equipment may be required in certain areas. Consult your national authority for possible requirements. Shure Transmitter Model P7T may be used in the countries and frequency ranges listed in in the Appendix.

FCC Statement. The P7R Receiver complies with Part 15 of the FCC rules. Operation is subject to the following two conditions: (1) this device does not cause harmful interference, and (2) this device must accept any interference received, including interference that may cause undesired operation.

Licensing Statement. A user license may be required for operation. Contact the communications authority in your country for more information.

Modifications to Approved Equipment. Changes or modifications not expressly approved by Shure Incorporated could affect compliance with telecommunications standards, thereby voiding the user's authority to operate this product.

Voltage Selection

WARNING

Voltages in this equipment are hazardous to life. No user-serviceable parts inside. Refer all servicing to qualified service personnel.
The safety certifications of the P7T/EP7T do not apply when the operating voltage is changed from the factory setting.

P7T and EP7T transmitters can be internally modified to operate at either 120 Vac or 230 Vac as follows:

1. Disconnect the P7T/EP7T from the AC power source.
2. Remove the eight Phillips head screws securing the top cover.
3. Locate Voltage Selector switch SW4 adjacent to power transformer T1 and, using a screwdriver, turn the center rotor to the desired position:
For 120 V operation, turn it to the 115 V position.
For 230 V operation, turn it to the 230V position.
4. Locate fuse and remove it. Replace it with the proper fuse:
For 120 V operation, use a 160 mA, 250 V, slow-blow fuse.
For 230 V operation, use a 80 mA, 250 V, time delay fuse.

Fuse Part Numbers

Fuse Type	Shure Part No.	Part No.
80 mA, 250 V time delay	80H380	Schurter .034.3106
160 mA, 250 V SLO-BLO	80K258	Littelfuse® 218.160

5. Replace the power cord with the proper power cord:
For 120 V operation, use an IEC appliance connector on the equipment end and a mains connector suitable for 115 V operation on the other.* (Shure part #95A8389.)
For 230 V operation, use an IEC appliance connector on the equipment end and a CEE 7/7 ("Schuko") mains connector on the other.* (Shure part #95A8247.)

* For systems requiring other mains connectors, obtain a power cord with an IEC 320 type mating connector for connection to the P7T, and an appropriate plug on the other end for connection to the mains. The supplied cord uses Harmonized IEC Cordage with color coding as follows:
Brown = Line, Blue = Neutral, Green/Yellow = Ground.

Accessories

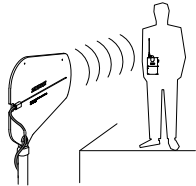
Furnished

Body-Pack Antenna (524-750 MHz)	90A8964
Body-Pack Antenna (770-870 MHz)	90B8964
Transmitter Antenna (524-750 MHz)	95A8699
Transmitter Antenna (770-870 MHz)	95A8621
Rack Mount Kit	PA745
61 cm (2 ft) Coaxial Cable (RG-58/U).....	UA802
Bulkhead Adapter	95A8994
SCL3/SCL5 sleeve assortment with cleaning tool	90XJ1371

Optional

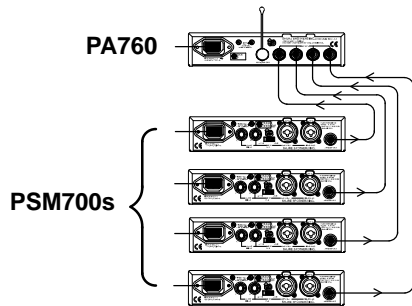
Antenna Combiner	PA760 (120 VAC)
.....	PA770 (120 VAC)
.....	PA821 (100-240 VAC)
.....	PA765E (240 VAC)
.....	PA770E (240 VAC)
Unidirectional Antenna	PA805WB
3.3 m (10 ft.) Coaxial Antenna Cable (BNC connector)	PA725
Bag of 20 Foam Ear Sleeves (yellow)	PA750
Triple-Flange Ear Sleeves (2)	PA755
Bag of 10 Flex-Tip Ear Sleeves (small).....	PA756S
Bag of 10 Flex-Tip Ear Sleeves (medium)	PA756M
Bag of 10 Flex-Tip Ear Sleeves (large)	PA756L

PA805WB Unidirectional Antenna



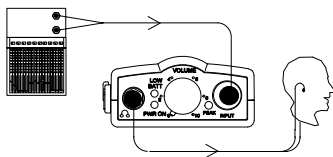
This unidirectional, remote-mountable, wide-band transmitting antenna provides wireless coverage in a cardioid pattern. Use the PA805WB to secure a line-of-sight transmission path from the transmitter to the receiver when the actual transmitters are obscured. Also, since the PA805WB has some gain (due to its directivity), it is useful when covering long distances.

PA821, PA760, PA765, PA770 Antenna Combiners



Reduce rack clutter and improve performance by combining up to four transmitters into a single antenna. These internally powered, half-rack units make transportation and setup easy, and they significantly reduce interference between transmitters by lowering the intermodulation distortion (IMD) level. Select among the different models to match the frequency range of your systems. (Please note that PA700 antenna combiners cannot be cascaded to each other.)

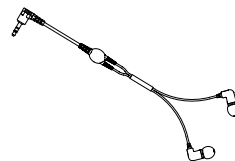
P6HW Hardwired Body Pack



Some performers, such as drummers and keyboard players, benefit less from the on-stage mobility that wireless systems offer. For these users, hardwired monitor systems, like the Shure P6HW, offer the same features of a wireless system at a lower cost. The P6HW also includes an input pad, for increased dynamic range, and an input peak indicator to alert the user when levels are too high.

SCL Earphones

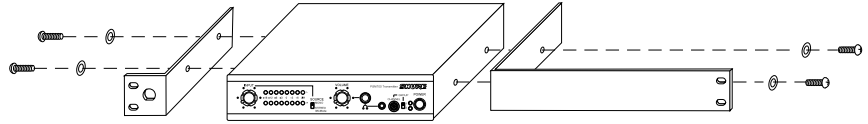
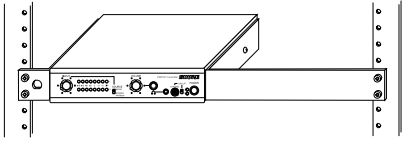
Shure offers a variety of earphones to fit your needs. Designed exclusively for PSM systems, they deliver superior sound quality. For the added comfort of a precise fit, custom earmolds are also available for SCL3 model earphones.



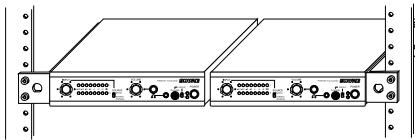
Rack Mounting

WARNING:
Do not torque the screws too tightly, or the chassis may be damaged.

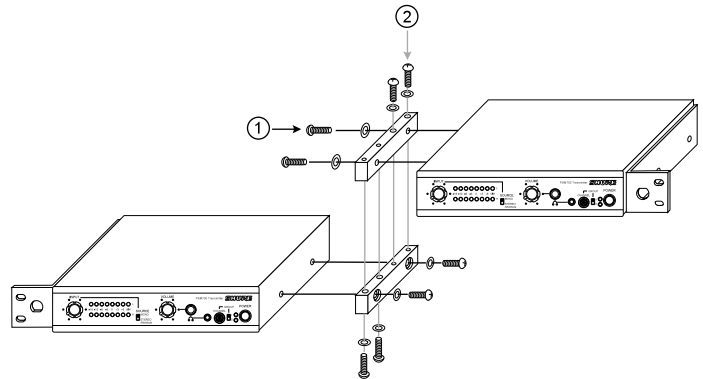
Single Unit



Dual-Mounted Units



IMPORTANT:
Attach the link bars so the recessed horizontal holes face out and the threaded and unthreaded vertical holes align.

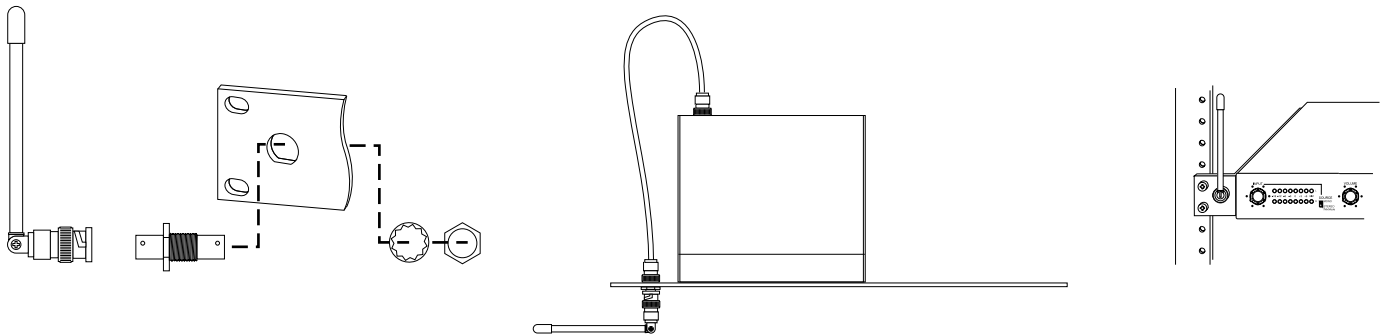


Dual Mounting with Other Shure Products

Shure P7T and P6T transmitters and SC and LX receivers can be dual-mounted interchangeably (although the front panels for different products may not align evenly). *For each side, use the rack ear that came with that product.* The link bars are universal.

Front Mounting the Antenna

When rack mounting units, use the supplied cable and bulkhead adapter to front mount the antenna. This prevents other cables from becoming entangled in the antenna and can greatly reduce RF interference.



FCC DECLARATION OF CONFORMITY

We,
of

Shure Incorporated
5800 Touhy Ave
Niles, Illinois, 60714-4608 U.S.A
(847) 600-2000

Declare under our sole responsibility that the following product

Model: P7R Description: Receiver

Has been tested and found to comply with the limits for an unintentional radiator device, and approved under the Declaration of Conformity provision of the Part 15 of the FCC rules.

Operation is subject to the following two conditions:

1. This device may not cause harmful interference.
2. This device must accept any interference received, including interference that may cause undesired operation.

Signed  Date November 12, 2003

Name, Title Craig Kozokar
EMC Project Engineer, Corporate Quality, Shure Incorporated

APPENDIX ANNEXE ANHANG APENDICE APPENDICE

TABLE 1 TABLEAU 1 TABELLE 1 TABLA 1 TABELLA 1

Country Code Code de Pays Länder-Kurzziel Código de País Codice del Paese	P7T-H3 (524 - 554 MHz)	P7T-L2 (632 - 662 MHz)	P7T-HF (722 - 746 MHz)	P7T-P5 (722 - 746 MHz)	P7T-MN (800 - 830 MHz)	P7T-KE (842 - 865 MHz)
USA	524 - 554z*	632 - 662*	722 - 746*	*	*	*
CAN	524 - 554*	632 - 662*	722 - 746*	*	*	*
A	524 - 554*	632 - 662*	722 - 746*	722 - 746*	800 - 830*	842 - 865*
B	524 - 554*	632 - 662*	722 - 746z*	722 - 746*	800 - 830	842 - 865*
CH	524 - 554*	632 - 662*	722 - 746*	722 - 746*	800 - 830*	842 - 865*
CY	*	*	*	*	*	*
CZ	524 - 554*	632 - 662*	722 - 746*	722 - 746*	800 - 830*	*
D	524 - 554*	632 - 662*	722 - 746*	722 - 746*	800 - 830*	842 - 865*
DK	*	*	*	*	800 - 820*	863 - 865*
E	524 - 554*	632 - 662*	722 - 746z*	722 - 746*	800 - 830*	842 - 865*
EST	524 - 554*	632 - 662*	722 - 746*	722 - 746*	800 - 830*	842 - 865*
F	*	*	*	722-746*	*	863 - 865*
FIN	*	*	*	*	800,1 - 819,9*	863 - 865*
GB	524 - 554*	632 - 662z*	722 - 746z*	722 - 746*	*	842 - 865*
GR	524 - 554*	632 - 662*	722 - 746*	722 - 746*	800 - 830*	*
I	524 - 554*	632 - 662*	722 - 746*	722 - 746*	*	863 - 865*
H	524 - 554*	632 - 662*	722 - 746*	722 - 746*	800 - 830*	*
IRL	524 - 554*	632 - 662*	722 - 746*	722 - 746*	800 - 830*	842 - 865*
L	524 - 554*	632 - 662*	722 - 746*	722 - 746*	800 - 830	842 - 865z*
LT	524 - 554*	632 - 662*	722 - 746*	722 - 746*	800 - 830*	*
LV	*	*	*	*	*	*
M	524 - 554*	632 - 662*	722 - 746*	722 - 746*	*	842 - 865*
N	*	*	*	*	800 - 820*	863 - 865*
NL	524 - 554*	632 - 662*	722 - 746*	722 - 746*	800 - 830*	842 - 865*
P	524 - 554*	632 - 662*	722 - 746*	722 - 746*	800 - 830*	842 - 865*
PL	524 - 554*	632 - 662*	722 - 746*	722 - 746*	800 - 830	*
S	*	*	*	*	800 - 814 *	863 - 865*
SK	*	*	*	*	*	*
SLO	524 - 554*	632 - 662*	722 - 746*	722 - 746*	800 - 830*	*
All Other Countries Tous les autres pays Alle anderen Länder Demás países Tutti gli altri Paesi	*	*	*	*	*	*

*Please contact your national authority for information on available legal frequencies for your area, maximum transmitter output power, and legal use of the equipment.

*Se mettre en rapport avec les autorités compétentes pour obtenir les informations sur les fréquences autorisées disponibles localement, le puissance de sortie HF de l'émetteur, et sur l'utilisation autorisée du matériel.

*Für Informationen bezüglich der für Ihr Gebiet verfügbaren gesetzlich zugelassenen Frequenzen und der möglichen Abstrahl-Leistung sowie der gesetzlichen Bestimmungen für den Einsatz der Geräte setzen Sie sich bitte mit der zuständigen örtlichen Behörde in Verbindung.

*Comuníquese con la autoridad nacional para obtener información en cuanto a las frecuencias legales disponibles, la potencia RF de salida del transmisor, y usos legales del equipo en su área.

*Rivolgersi alle autorità competenti per ottenere informazioni relative alle frequenze autorizzate nella propria regione, la potenza RF di uscita di trasmettitore, e alle norme che regolano l'uso di questo apparecchio.

EU DECLARATION OF CONFORMITY

We,
of

Shure Incorporated
5800 Touhy Avenue
Niles, Illinois, 60714-4608 U.S.A.
Phone: (847) 600-2000
Web: www.Shure.com

Declare under our sole responsibility that the following product

Model: P7R Description: Personal Stereo UHF Receiver

conforms to the essential requirements and other relevant provisions of the R&TTE Directive (1999/5/EC).

The product complies with the following product family, harmonized or national standards:

EN 301 489-1 V1.4.1 (2002-08)
EN 301 489-9 V1.2.1 (2002-08)
EN 300 422-1 V1.2.2 (2000-08)
EN 300 422-2 V1.1.1 (2000-08)

The technical documentation is kept at:

Shure Incorporated, Corporate Quality Engineering Division
SHURE Europe GmbH, EMEA Approval

Manufacturer: Shure Incorporated

Signed:  Date: 3 March 2006
Name and Title: Craig Kozokar, EMC Project Engineer, Corporate Quality Engineering Division

European Representative: SHURE Europe GmbH

Signed:  Date: 3 March 2006
Name and Title: Wolfgang Bilz, Dipl. Ing. (FH), EMEA Approval
SHURE Europe GmbH
Headquarters Europe, Middle East & Africa
Wannenäcker Str. 28
D-74078 Heilbronn, Germany
Phone: +49 - (0)7131 - 7214 - 0
Fax: +49 - (0)7131 - 7214 - 14

EU DECLARATION OF CONFORMITY

We,
of

Shure Incorporated
5800 Touhy Avenue
Niles, Illinois, 60714-4608 U.S.A.
Phone: (847) 600-2000
Web: www.Shure.com

Declare under our sole responsibility that the following product

Model: P7T Description: Personal Stereo UHF Transmitter

conforms to the essential requirements and other relevant provisions of the R&TTE Directive (1999/5/EC).

The product complies with the following product family, harmonized or national standards:

EN 301 489-1 V1.4.1 (2002-08)
EN 301 489-9 V1.2.1 (2002-08)
EN 300 422-1 V1.2.2 (2000-08)
EN 300 422-2 V1.1.1 (2000-08)
IEC 60065:1998
EN61000-3-2:2000 Amendment A1:1998; A2:1998; A14:2000
EN 61000-3-3 Amendment A1:2001

The technical documentation is kept at:

Shure Incorporated, Corporate Quality Engineering Division
SHURE Europe GmbH, EMEA Approval

Manufacturer: Shure Incorporated

Signed:  Date: 25 September 2007
Name and Title: Craig Kozokar, EMC Project Engineer, Corporate Quality Engineering Division

European Representative: SHURE Europe GmbH

Signed:  Date: 25 September 2007
Name and Title: Wolfgang Bilz, Dipl. Ing. (FH), EMEA Approval
SHURE Europe GmbH
Headquarters Europe, Middle East & Africa
Wannenäcker Str. 28
D-74078 Heilbronn, Germany
Phone: +49 - (0)7131 - 7214 - 0
Fax: +49 - (0)7131 - 7214 - 14

SHURE®

SHURE Incorporated <http://www.shure.com>

United States, Canada, Latin America, Caribbean:

5800 W. Touhy Avenue, Niles, IL 60714-4608, U.S.A.

Phone: 847-600-2000 U.S. Fax: 847-600-1212 Int'l Fax: 847-600-6446

Europe, Middle East, Africa:

Shure Europe GmbH, Phone: 49-7131-72140 Fax: 49-7131-721414

Asia, Pacific:

Shure Asia Limited, Phone: 852-2893-4290 Fax: 852-2893-4055